



Fox Delta

Amateur Radio Projects & Kits

AMBalun

Technical Info Doc: A simple HF Antenna Matching Balun for Portable Radios

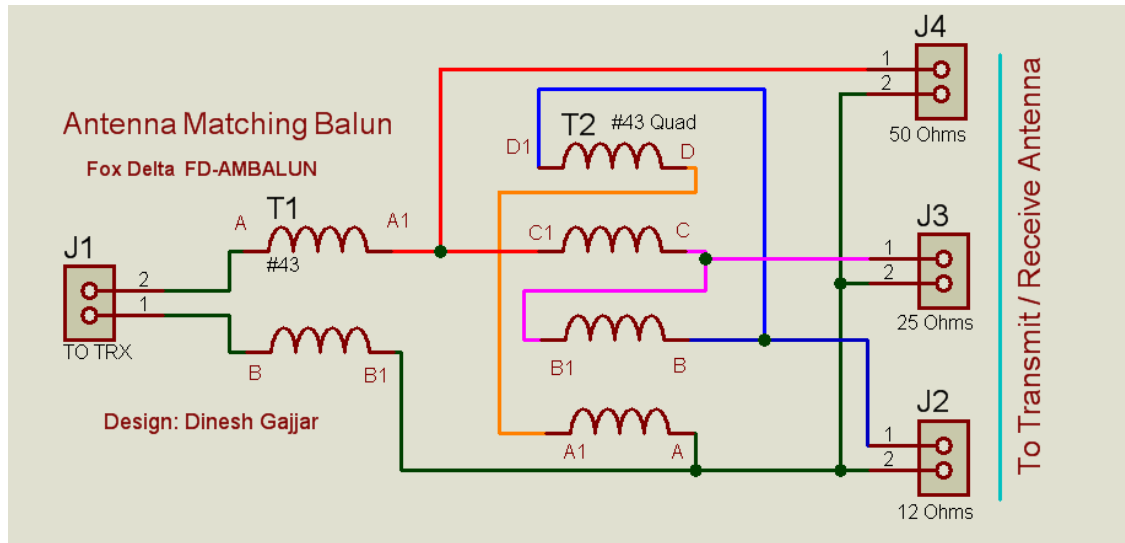
HF Antenna Matching Balun for QRP Radios:



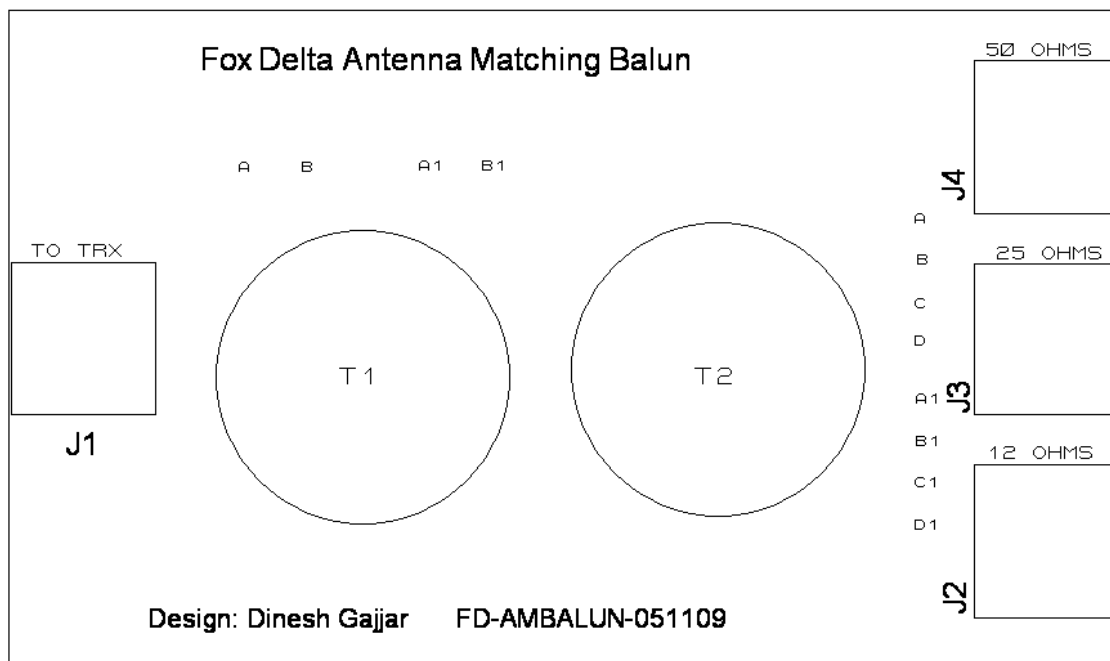
AMBalun KIT Parts List:

4	J1, 2, 3, 4	BNC R/A PCB Connectors
1	PCB	HF FD-AMB PTH PCB
2	T1 & T2	#43 Material Toroid Fair Rite: 2643801002
Wire	Copper Insulated Wire #22AWG	See T1 & T2 Winding Instructions
1	Case	Powder Coated Metal Case

Schematic:



Silk Snap:



73s / Dinesh Gajjar / 28th July 2010

For more details on this project please visit <http://www.foxdelta.com>