



Fox Delta

Amateur Radio Projects & Kits

PAC-0812

Schematic & Parts List: PIC18F4550 Power Amplifier Controller CPU Board

This project is developed for Amateur Radio Community by:

[Antonio Alfinito / I2TZK](#)

[Dinesh Gajjar / VU2FD](#)

[Frank Dzurda / K7SFN](#)

PAC-0812 CPU BOARD Parts List:

Quantity	Part ID	Details
1	U2	PIC18F4550 DIP40
1	PCB	FD-PAC-0812
1	IC Socket	40 PIN DIP
2	IC Socket	18 PIN DIP
1	IC Socket	16PIN
1	U3	MCP1525 2.5V Reference
1	U1	7805
1	U4	74HC4028 DIP16
1	U5	ULN2803 DIP18
1	Q1	2N3563
6	Q2, 3, 4, 5, 6, 7,	2N7000
1	Q8	IRFD110
3	SW1, 2, 3	12mm Push Button
6	FL1 to 6	Murata DSS9NC52A222
1	RFC9	82uH
6	RFC3, 4, 5, 6, 7, 8	33-39uH
2	RFC1, 2	10uH
1set	LCD Header	16PIN SIL 0.1INCH with Ribbon Cable
1set	KB Header	10PIN SIL 0.1INCH With Ribbon Cable
1	P1	10K LCD Contrast Preset
1	LCD	4x20 with backlight
1	X1	20MHZ HC49
1	J1	DC12V Socket
1	J2	SMA
1	J3	USB R/A Socket
1	J4	FRC34 Socket (M)
1	J5	FRC16 Socket (M)
1	Header Set For KB	SIL6 Male+Female+Hardware

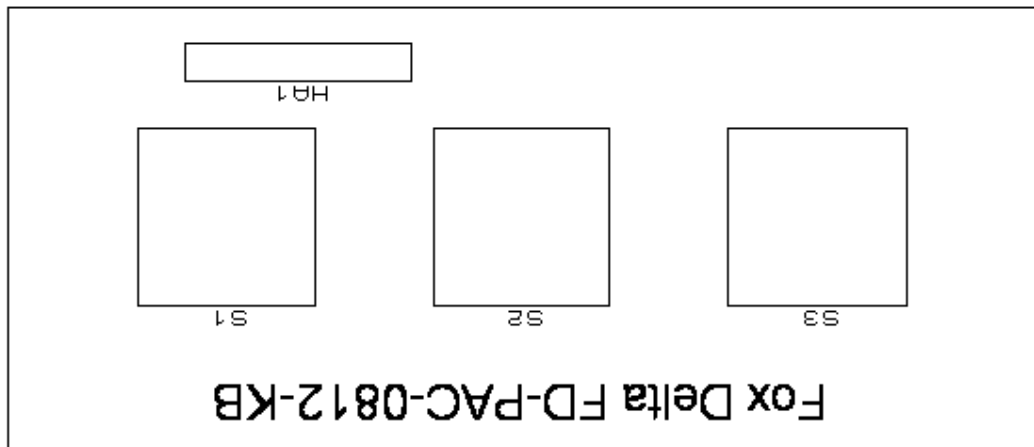
Resistors – 1/4W 5%

Quantity	Part ID	Details
2	R1, 16	1K
5	R2, 5, 6, 8, 10	47K
2	R3, 15	470
1	R4	150
4	R11, 12, 13, 14	10K
4	R17, 18, 19, 20	100K
1	R7	?
1	R9	?

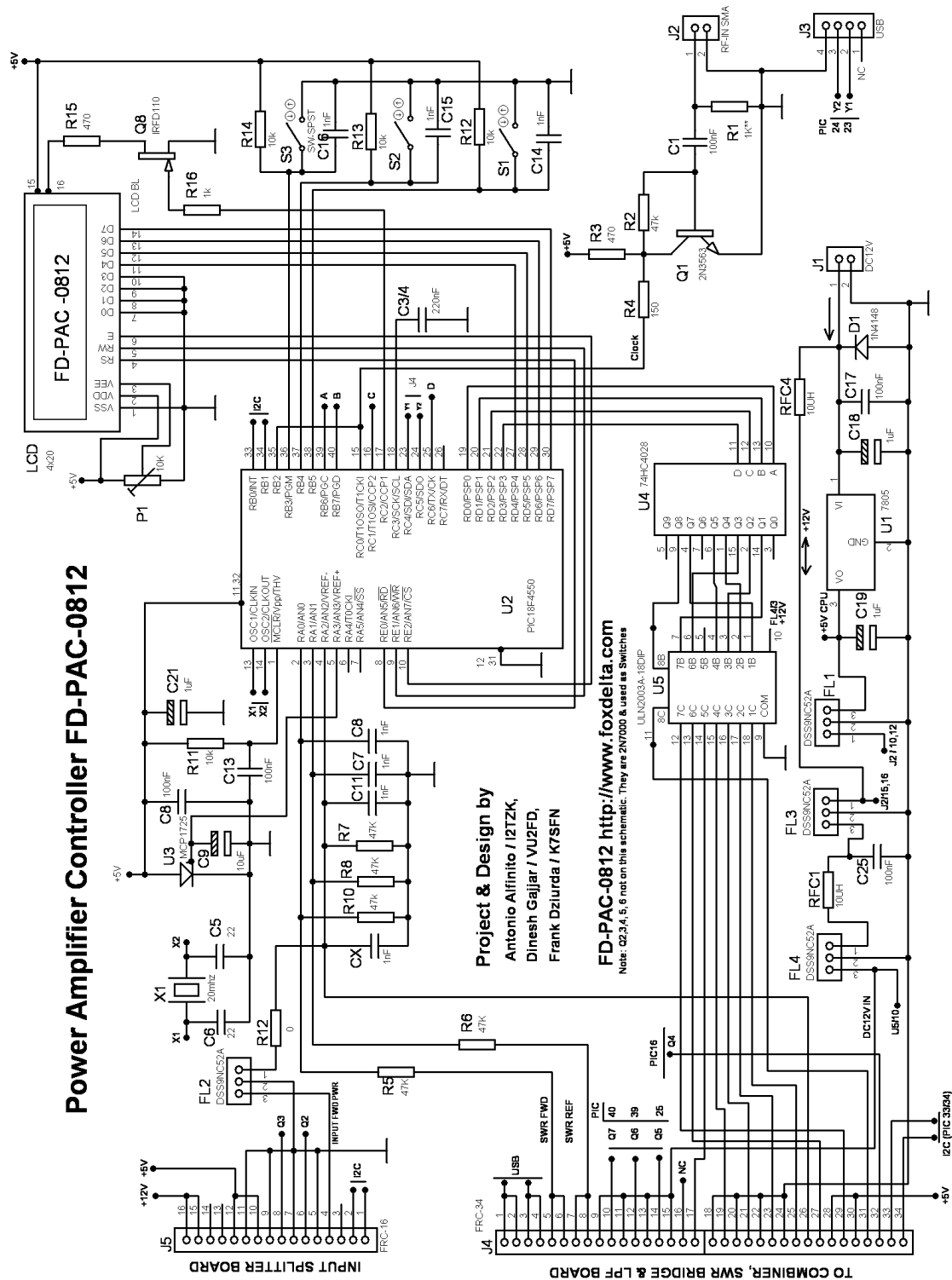
Capacitors:

Quantity	Part ID	Details
	C2, 7, 18, 19, 21, 23	1uF Tantalum
	C1, 8, 13, 17, 20, 25, 24	0.1uF Poly
	C10, 11, 12, 14, 15, 16	0.001uF Poly
	C3, 4	0.22uF Poly
	C5, 6	22pf Ceramic
	C9	10uF Tantalum
	CX*	0.001uf Ceramic*

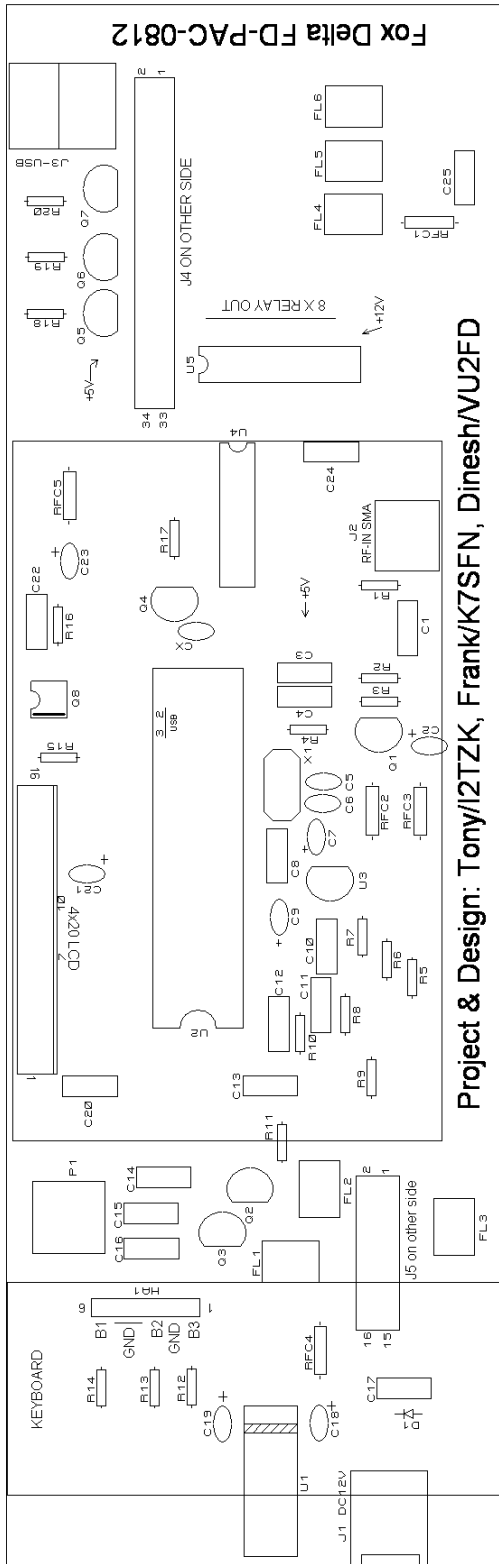
Keyboard Silk:



PAC-0812 CPU Board Schematic:



PAC-0812 CPU Board Silk:



Project & Design: Tony/I2TZK, Frank/K7SFN, Dinesh/VU2FD

73s

Dinesh Gajjar / 070812

For more details on this project please visit <http://www.foxdelta.com>