



Fox Delta

Amateur Radio Projects & Kits

FD- SWM2

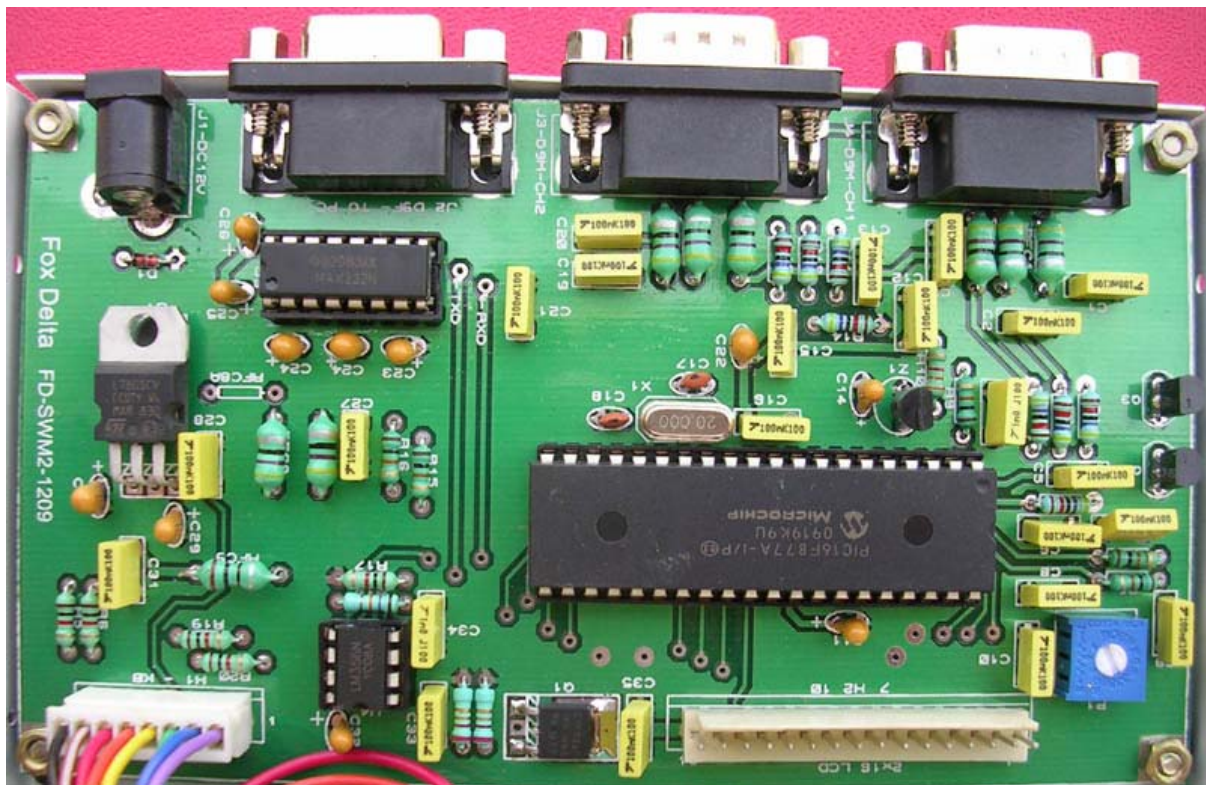
Schematic & Parts list: PIC16F877A Dual Channel LCD HF/VHF SWR Meter: CPU

HF/VHF 100W to 1KW LCD DUAL Channel SWR/POWER Meter: CPU UNIT

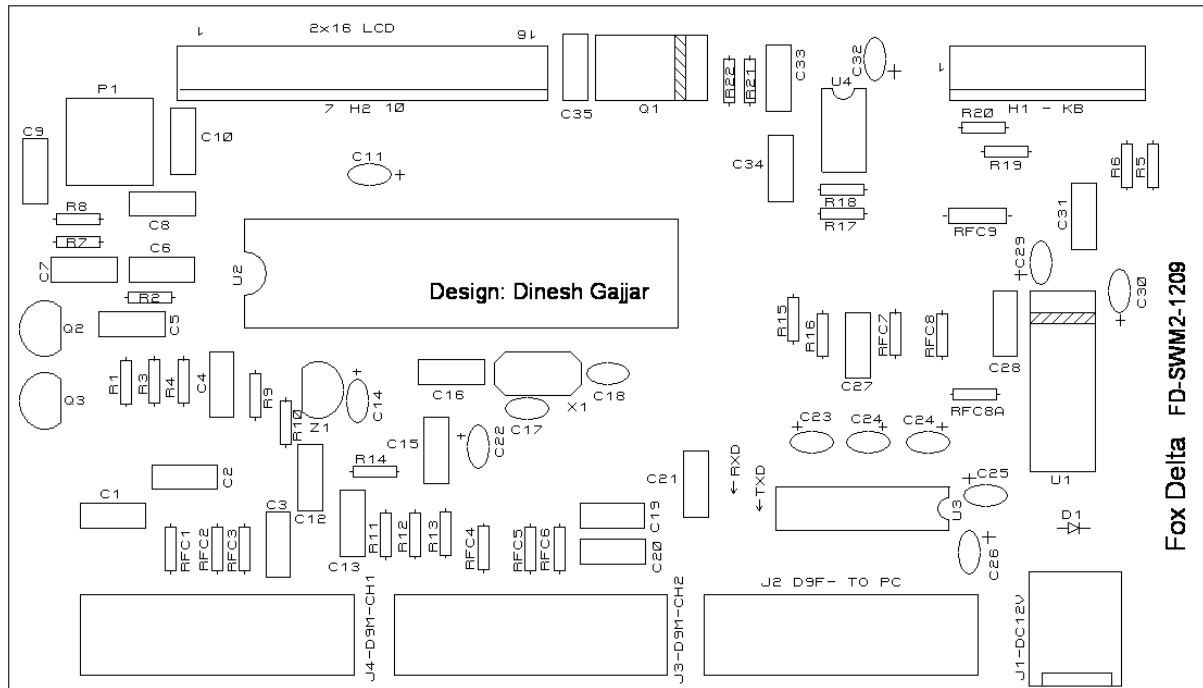


(Case is only for illustration. May or may not be offered with kit or assembled)

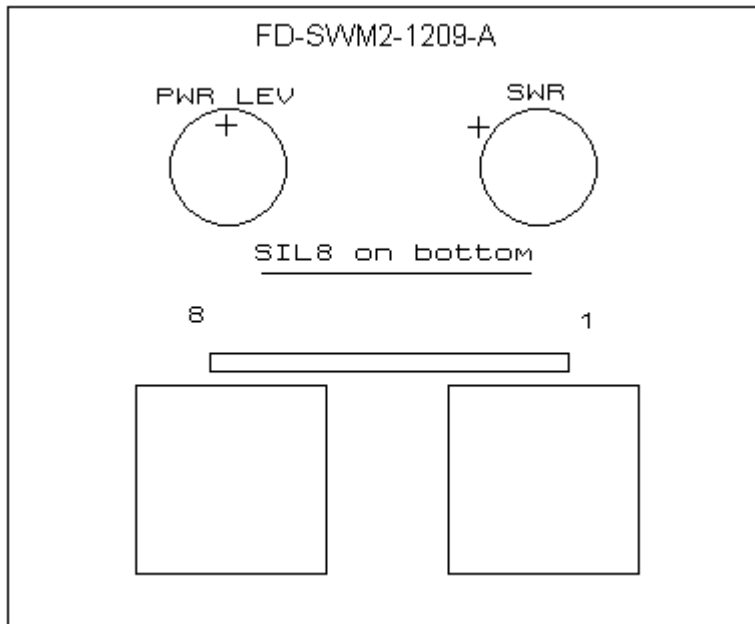
Dual Channel SWR Meter CPU: Top View



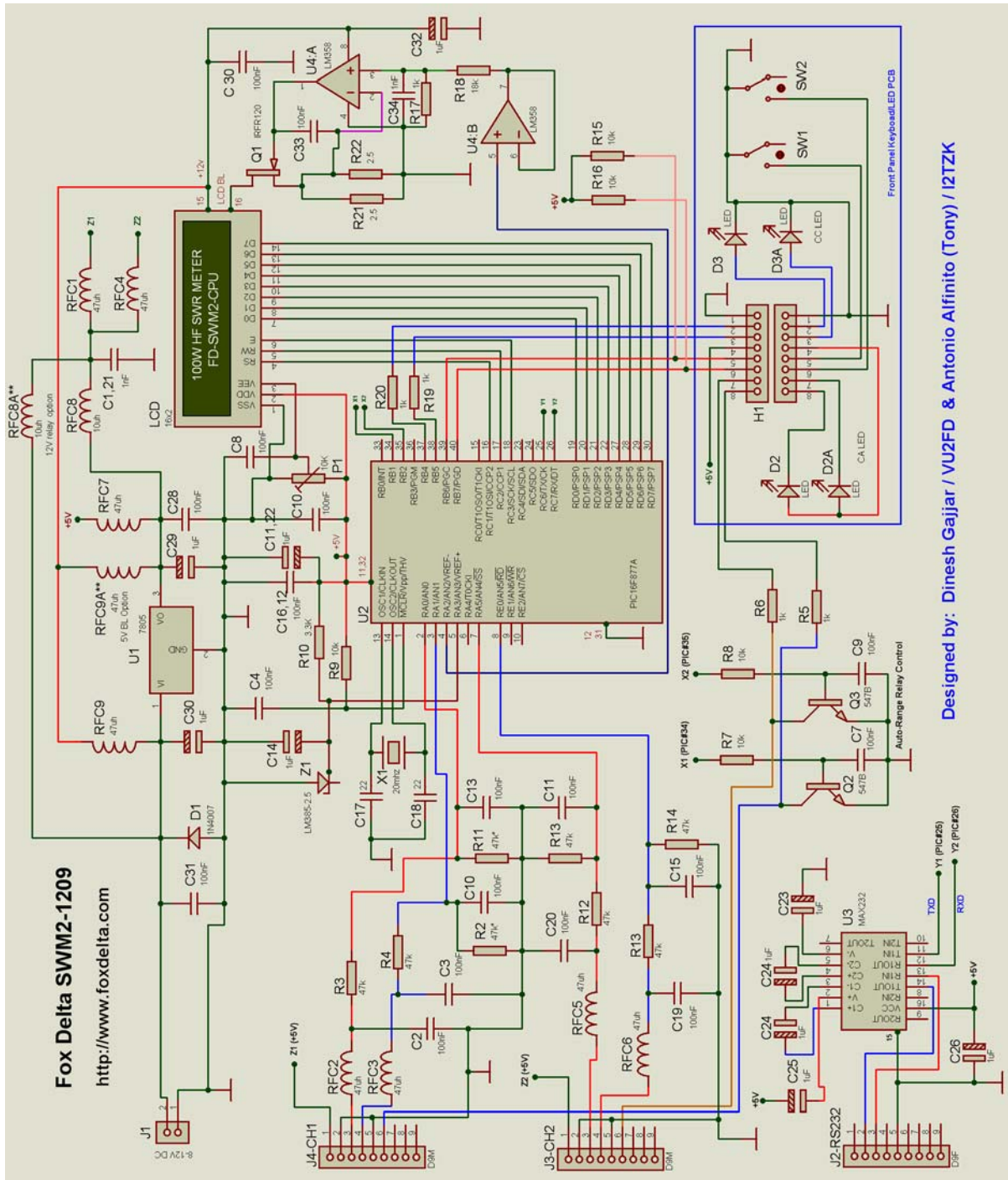
CPU Silk:



Keyboard Silk:



Schematic of the SWR-HF CPU Board:



Note:

1. RFC8A not used.
2. D9F to D9F cable is not part of CPU kit. (Included with Bridge Kits)

SWM2 CPU Parts List:

Quantity	Part ID	Part Details
1	U2	PIC16F877A Pre-Programmed DIP40
1	U3	MAX232 DIP16
1	U4	LM358 DIP8
1	U1	7805 TO220
2	J4, 3	D9 Male R/A PCB Connector
1	J2	D9 Female R/A PCB Connector
1	J1	DC12V Connector R/A PCB
1	LED	Dual LED Common Cathode
1	LED	Dual LED Common Anode
2	SW1/2	12MM Push Buttons
1	PCB-KB	Double Sided PTH PCB for Keyboard
1	SWM-PCB	Double Sided PTH PCB SWM2-1209
1	Pair	16PIN SIL Male and Ribbon for LCD
1	Pair	8PIN SIL Male and Ribbon for Keyboard
1	LCD	2x16 LCD with Backlight
1	Q1	IRF120
2	Q2, 3	BC547B
1	X1	20MHZ Crystal in HC49U
1	Z1	LM385-2.5 in TO92
1	40DIP	IC Socket
1	8DIP	IC Socket
1	16DIP	IC Socket
8	RFC1 - 8	33- 47uH
1	P1	Preset 10K Bourns
1	D1	1N4148 Diode
1	RFC9	10uH
1	Set	Nut / Bolts for LCD and KB Mounting
All Resistors ¼ W 5%		
8	47K	R1, 2, 3, 4, 11, 12, 13, 14
5	1K	R5, 6, 17, 19, 20,
6	10K	R7, 8, 15, 16, 9
1	3.3K	R10
1	18K	R18
2	2.2 Ohms	R21, 22
Capacitors		
11	1uf Tantalum/35V	C11, 14, 22, 23, 24x2, 25, 26, 32, 29, 30.
2	22pf	Ceramic – R17, 18
2	0.001uF Ploy	C34, 4
21	0.1uf Poly	All other capacitors not listed above

73s

Dinesh Gajjar

12th July 2010

For more details, please visit Project Page: <http://www.foxdelta.com>