



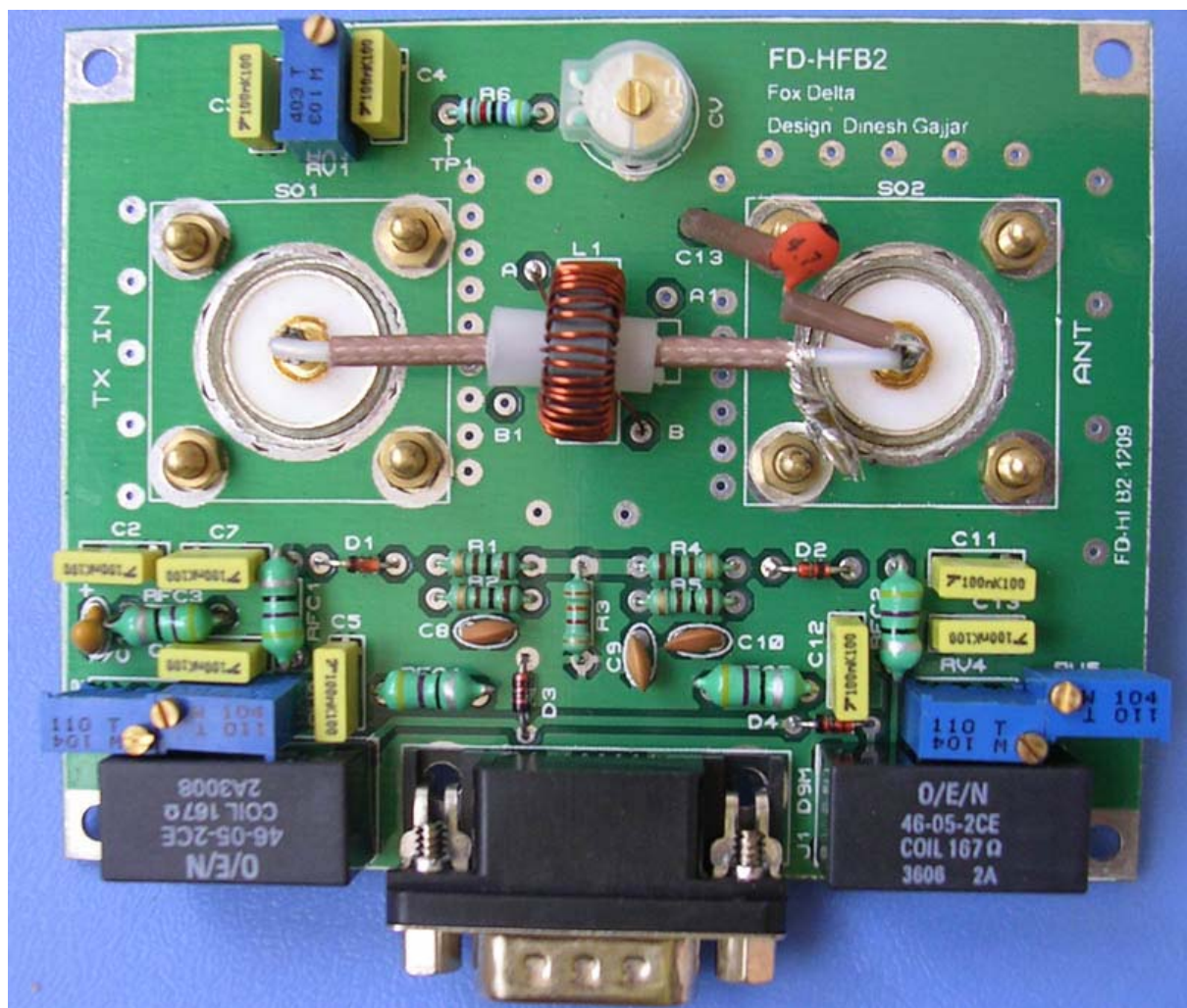
Fox Delta

Amateur Radio Projects & Kits

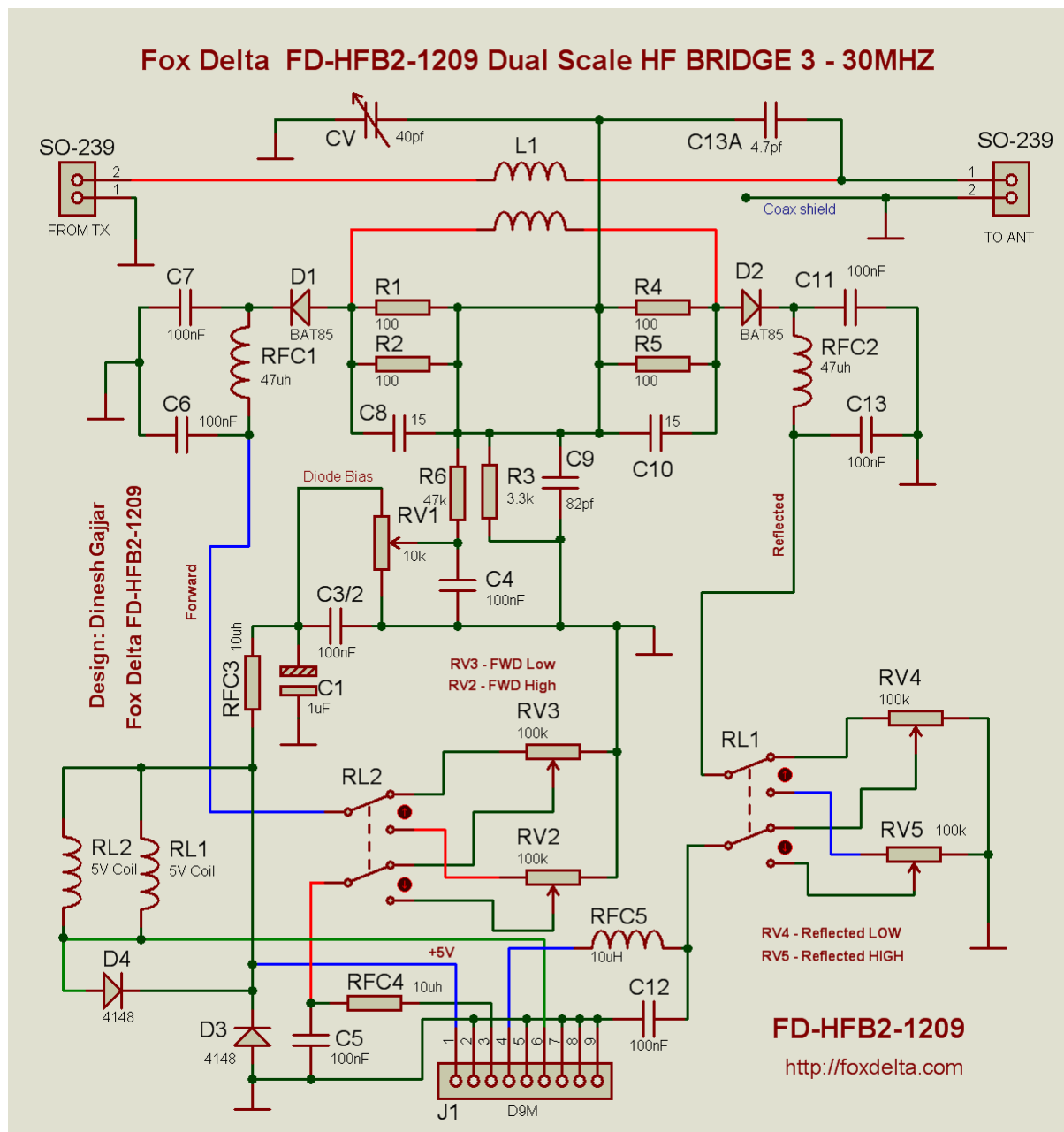
FD- SWM2

Schematic & Parts list: HF Dual scale Bridge for Dual Channel LCD SWR Meter

HF Dual Scale 100W to 2KW Bridge for DUAL Channel SWR/POWER Meter:



Schematic of the Dual Scale HF Bridge:

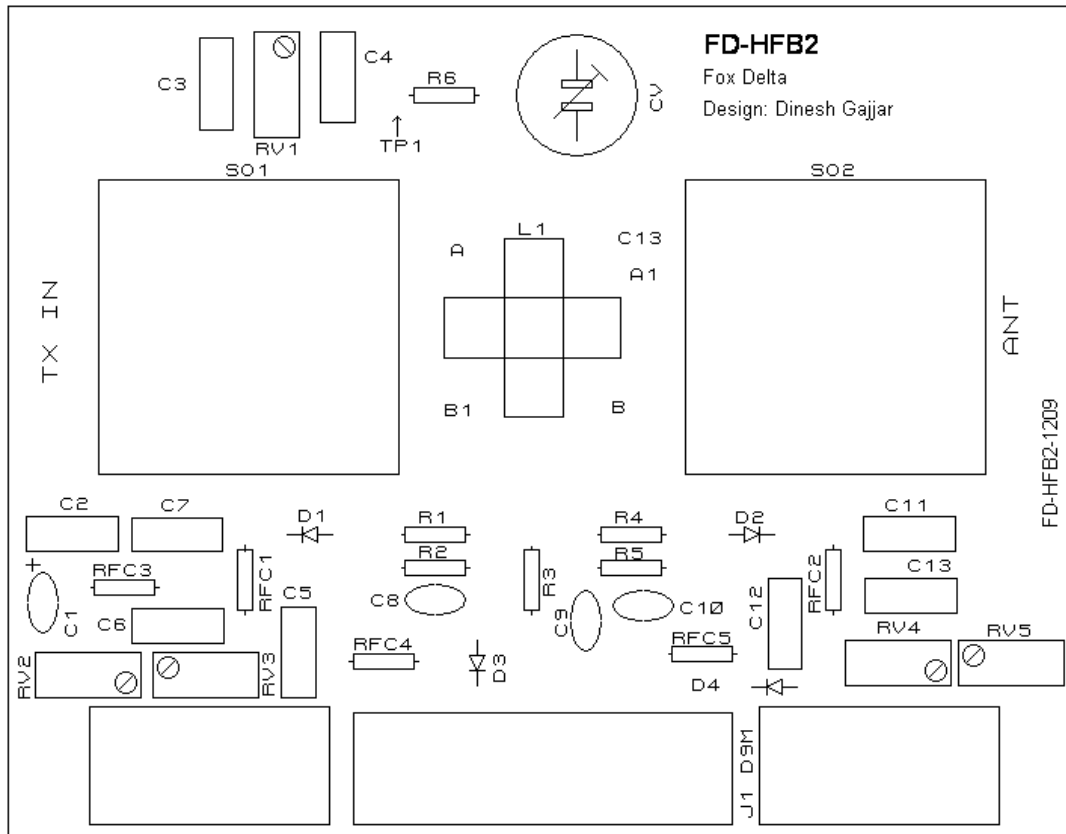


Auto scaling bridge is basically same as **Simple HF Bridge** but has two 5V relays to scale FWD and REV voltages for CPU.

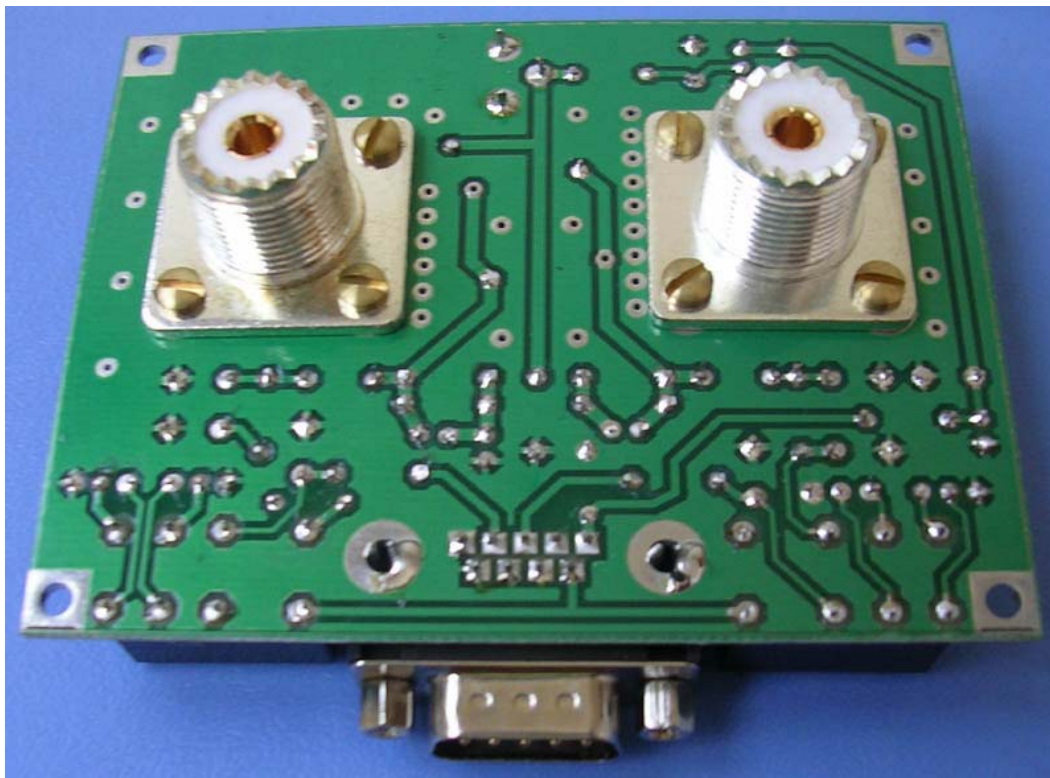
Relays are under control of Front Panel buttons and when selected thru PC for "auto scale", CPU will change scale of the display and bridge.

Two sets of presets are provided for alignment for LOW and HIGH power levels.

Silk:



HF Dual Scale Bridge Connector side view:



HF Dual Scale Bridge Kit Parts List:

Quantity	Part ID	Part Details
2	RF Connectors	SO239 Standard. (Type N Option)
1	PCB	FD-HFB2-1209
2	RL1, 2	5V Relay OEN 46-05-2CE
4	RV3, 4, 5, 2	100K 10Turn Preset Bourns
2	D1, 2	BAT85
2	D3, 4	1N4148
1	RV1	10K 10Turn Preset – Diode Bias
1	CV	20pf Air Variable
1	L1	#43 Material Round or Tubular core
1	30CM Long	#28 copper wire
1	J1	D9M R/A PCB Connector
1	Cable	D9F to D9F cable
2	RFC1, 2	33 to 47uh inductors
2	RFC3, 4, 5	10uh to 33uH Inductors
1	SO239 Hardware	8 bolts, 8 nuts, 1 lug for SO239 Mounting
1	7CM Long	RG316 or similar Teflon coax
1	C13A	4.7pf 500V
2	C8, 10	15pf Ceramic
1	C9	82pf Ceramic
9	C2, 3, 4, 5, 6, 7, 11, 12, 13	0.1uf Poly
1	C1	1uf Tantalum
4	R1, 2, 4, 5	100 ohms ¼ W Resistors
1	R3	3.3K
1	R6	47K

Note: If free case is supplied, required hardware will be included

73s

Dinesh Gajjar

20th July 2010

For more details, please visit Project Page: <http://www.foxdelta.com>