



Fox Delta

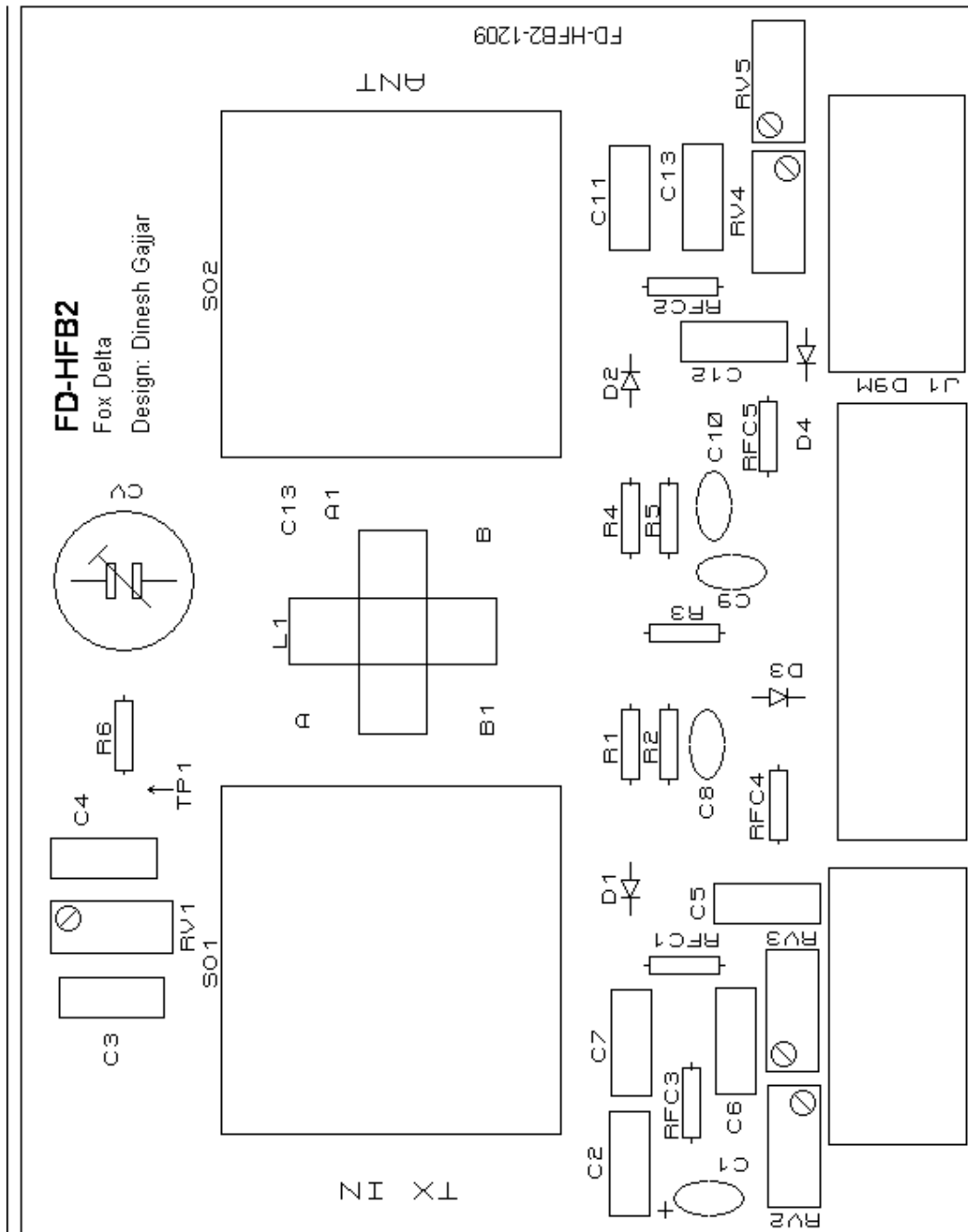
Amateur Radio Projects & Kits

HF-Dual Scale Bridge

KIT Parts list: HF Dual scale Bridge for Dual Channel LCD SWR Meter

HF Dual Scale 100W to 2KW Bridge for DUAL Channel SWR/POWER Meter:

Board Silk:

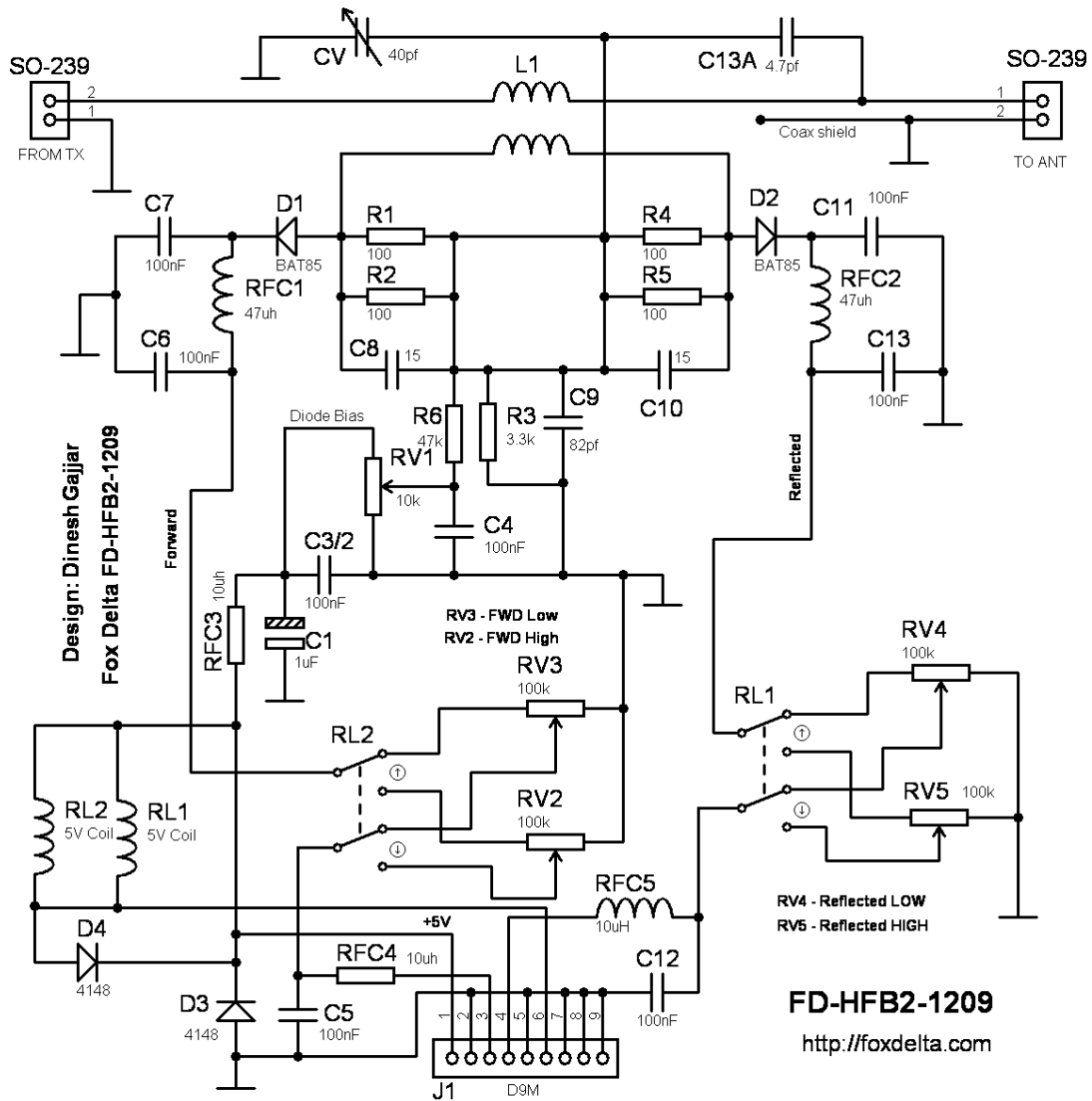


HF Dual Scale Bridge Kit Parts List:

Quantity	Part ID	Part Details
2	RF Connectors	SO239 Standard. (Type N Option)
1	PCB	FD-HFB2-1209
2	RL1, 2	5V Relay OEN 46-05-2CE
4	RV3, 4, 5, 2	100K 10Turn Preset Bourns
2	D1, 2	BAT85
2	D3, 4	1N4148
1	RV1	10K 10Turn Preset – Diode Bias
1	CV	20pf Air Variable
1	L1	#43 Material Round or Tubular core
1	30CM Long	#28 copper wire
1	J1	D9M R/A PCB Connector
1	Cable	D9F to D9F cable
2	RFC1, 2	33 to 47uh inductors
3	RFC3, 4, 5	10uh Inductors
1	SO239 Hardware	8 bolts, 8 nuts, 1 lug for SO239 Mounting
1	7CM Long	RG316 or similar Teflon coax
1	C13A	4.7pf 500V
2	C8, 10	15pf Ceramic
1	C9	82pf Ceramic
9	C2, 3, 4, 5, 6, 7, 11, 12, 13	0.1uf Poly
1	C1	1uf Tantalum
4	R1, 2, 4, 5	100 ohms ¼ W Resistors
1	R3	3.3K
1	R6	47K

HF Dual Schematic:

Fox Delta FD-HFB2-1209 Dual Scale HF BRIDGE 3 - 30MHZ



73s

Dinesh Gajjar

14th November 2011

For more details, please visit Project Page: <http://www.foxdelta.com>