



Fox Delta

Amateur Radio Projects & Kits

FD- SWM3-0915

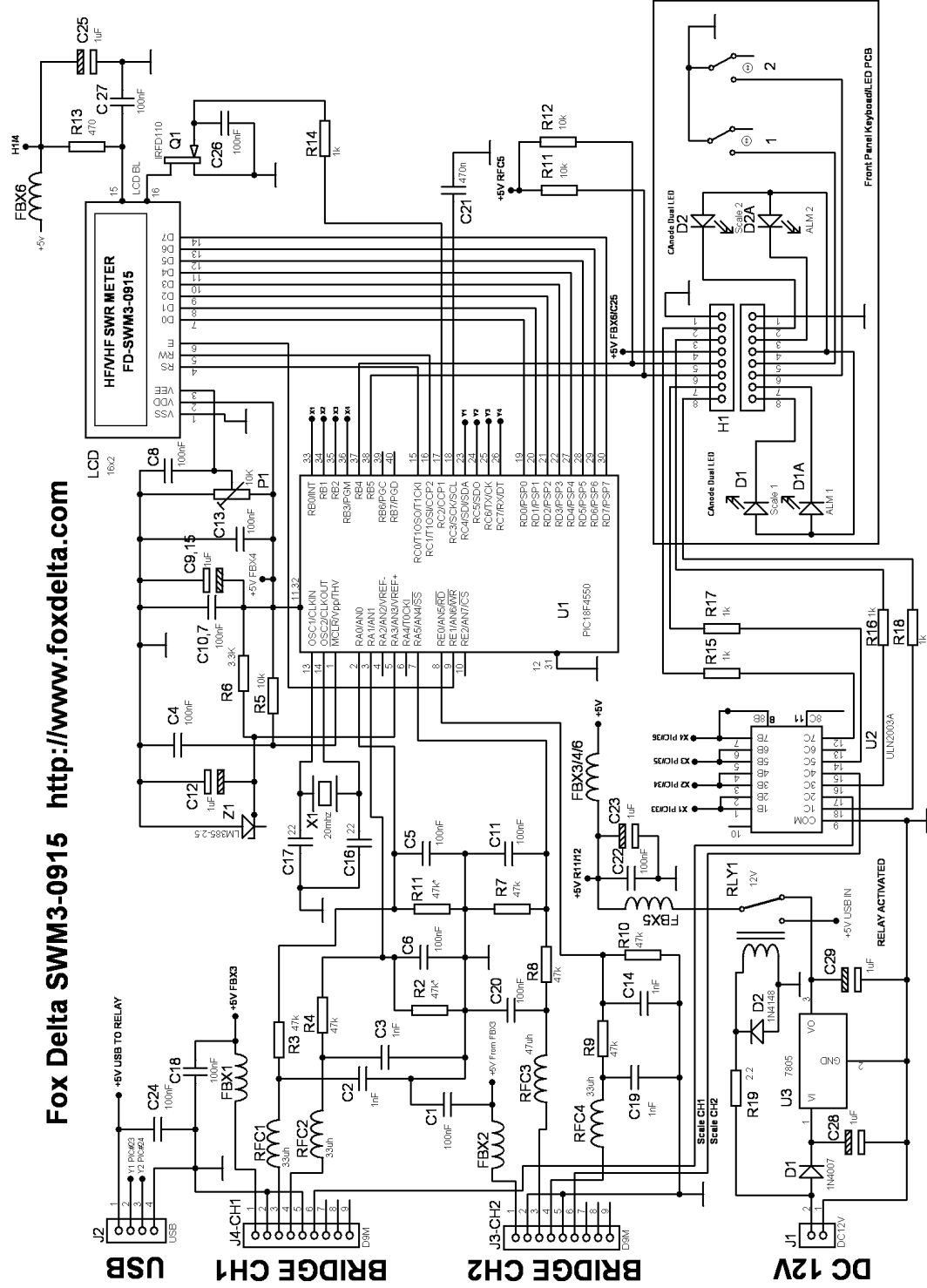
SWM3-0915 Parts List: PIC18F4550 USB Dual Channel LCD HF/VHF SWR Meter

SWM3-0915 CPU Parts List:

Qty	Part ID	Part Details
1	U1	PIC18F4550 Pre-Programmed DIP40
1	U2	ULN2803A DIP18
1	Q1	IRFD110
1	Z1	LM385-2.5V
2	J4, 3	D9 Male R/A PCB Connector
1	J1	DC12V PCB Connector
1	J2	USB PCB Connector
2	LED	Dual LED Common Anode (LED-KB)
2	SW1/2	12MM Push Buttons (LED-KB)
1	SWM3-KB-PCB	Double Sided PTH PCB LED-KB-0915-A
1	SWM3-PCB	Double Sided PTH PCB SWM3-0915
1	Pair	16PIN SIL Male and Ribbon for LCD (2X8)
1	Pair	8PIN SIL Male and Ribbon for Keyboard
1	LCD	2x16 LCD with Backlight
1	RLY	OEN42 or Similar 12V mini Relay 1CO
1	P1	10K Preset
1	X1	20MHZ Crystal in HC49U
1	U3	7805
1	18DIP	IC Socket
1	40DIP	IC Socket
4	RFC1 - 4	33-47uH
6	FBX1-6	FB Inductors
1	D1	1N4007
1	D2	1N4148
1	Set	Nuts / Bolts for LCD and KB Mounting
1	Case	Free Powder Coated Metal Case
All Resistors 1/4 W 5%		
8	47K	R1, 2, 3, 4, 7, 8, 9, 10
5	1K	R14, 15, 16, 17, 18,
3	10K	R5, 11, 12,
1	3.3K	R6
1	470	R13
Capacitors		
7	1uf Tantalum/35V	C12, 15, 9, 23, 25, 28, 29
2	22pf	C17, 16 Ceramic
1	0.47uf Ploy	C21
10	0.1uf Poly	C1, 7, 8, 10, 13, 18, 22, 24, 26, 27
9	0.001uF Poly	C6, 5, 4, 2, 3, 11, 14, 19, 20,

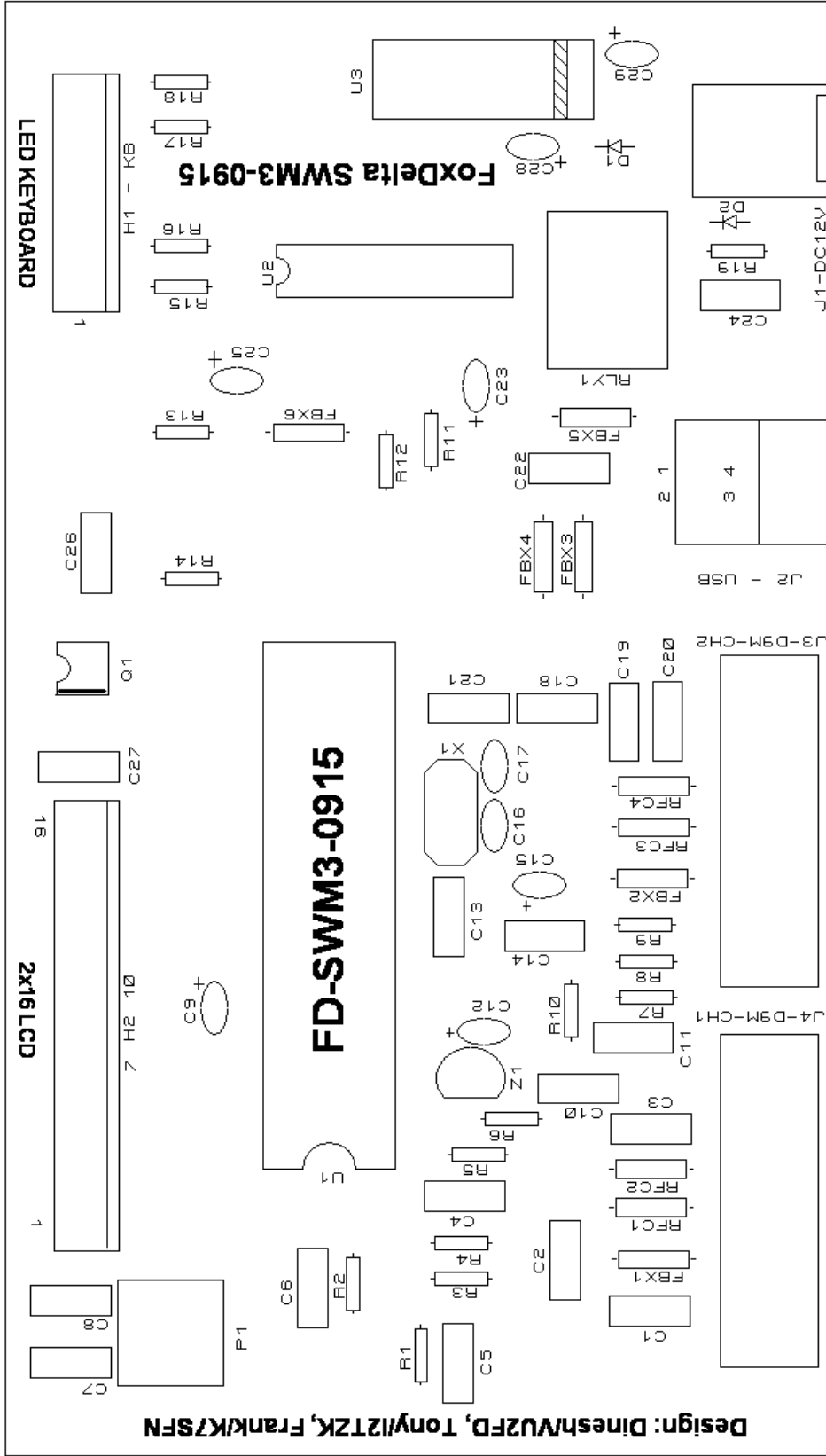
Schematic: SWM3-0915

Fox Delta SWM3-0915 <http://www.foxdelta.com>

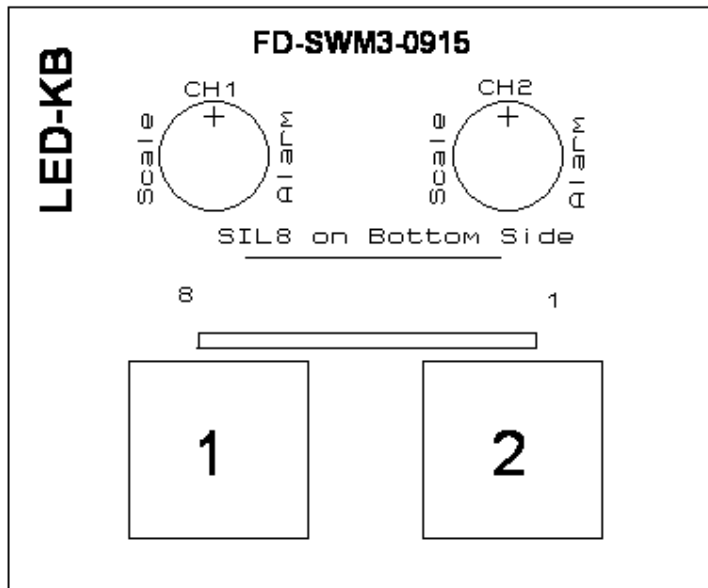


Project & Design by: Dinesh Gajjar / VU2FD, Antonio Alfinito (Tony) / I2TZK, Frank Dziurda / K7SFN

SWM3-0915 PCB Silk:



SWM3-0915 Keyboard Silk :



SIL8 connector is installed on solder side of above PCB

73s

Dinesh Gajjar

9th September 2015

For more details, please visit Project Page: <http://www.foxdelta.com>