



# Fox Delta

Amateur Radio Projects & Kits

FD- SIGEN - 0517

**Schematic & Parts list: PIC18F25K22 and Si5351 1MHZ to 160MHZ VFO**

## FD-SIGEN-0517 Si5351 VFO Parts List:

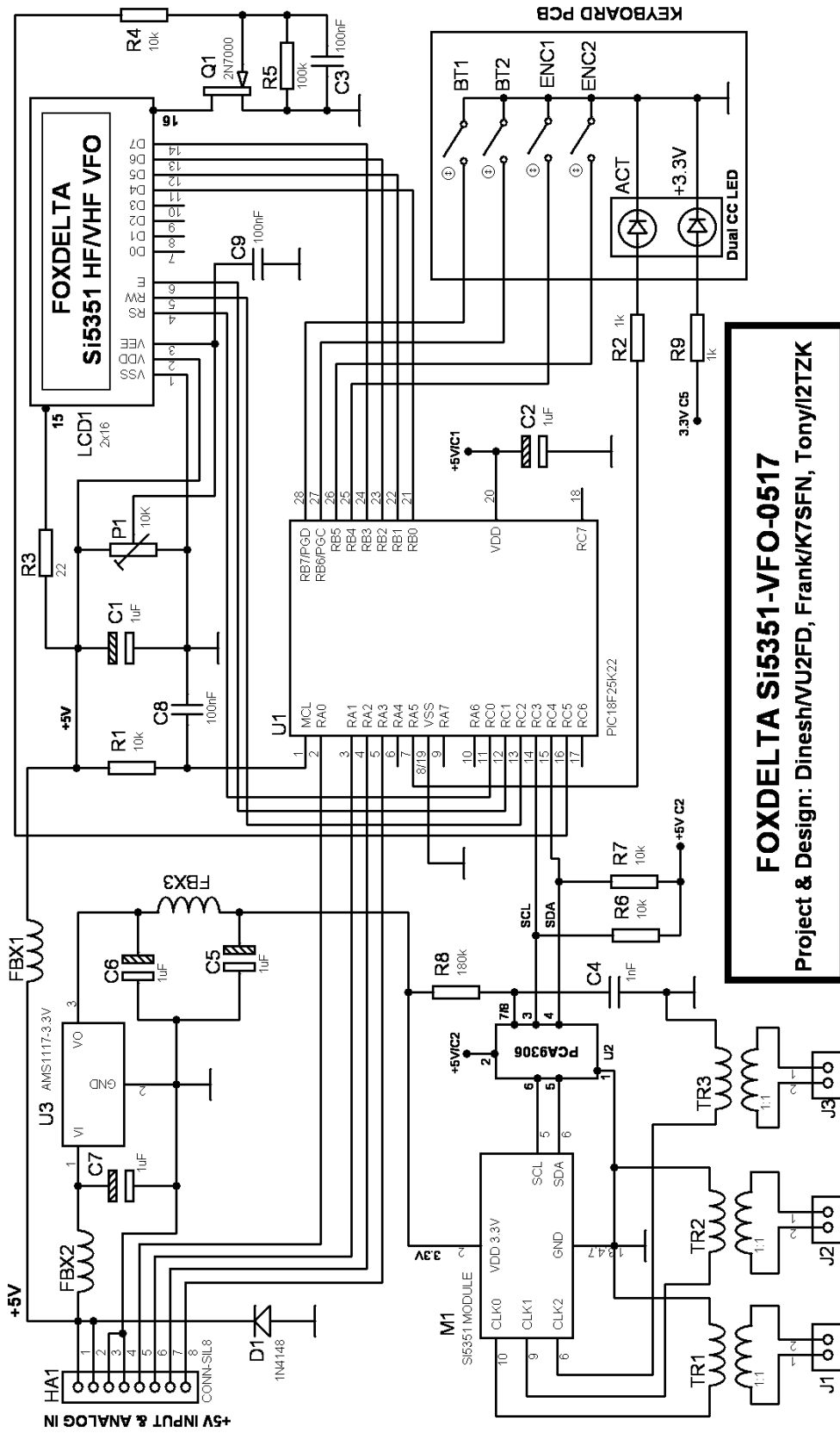
Quantity	Part ID	Part Details
1	U1	PIC18F25K22 Pre-programmed
1	PCB	FD-SIGEN-0517 DSPTH PCB
1	M1#	Si5351 Module (Assembled + Tested)
1	U2*	PCA9306
1	U3*	AMS1117- 3.3V
1	Q1	2N7000 TO92
3	FBX1, 2, 3	Ferrite Bead RFCs
1	D1	Diode 1N4148
2	TR1*, 2*	1:1 Transformers
1	SIL8	Header Male/ Female for KB
1	KB PCB	PCB KB-0517
1	EC1	Encoder EC12 Type
1	P1	10K Preset Bourns (LCD Contrast)
2	BT1/2	12mm Push Buttons
1	LED	Dual LED CC (Common Cathode)
1	LCD Headers	16PIN Male/Female Headers.
1	LCD	2X16 LCD with BL (Green or Blue)
2	J1, 2	SMA Connectors
1	Set	LCD and KB hardware
<b>Capacitors:</b>		
5	C1, 2, 5, 6, 7,	1uF Tantalum
4	C3, 4, 8, 9,	0.1uF Poly
<b>Resistors:</b>		
2	R2, 9	1K
1	R3	22 ohms
4	R1, 4, 6, 7,	10K
1	R5	100K
1	R8	180K

\* = Pre-soldered on PCB

# = Assembled in tested for kits

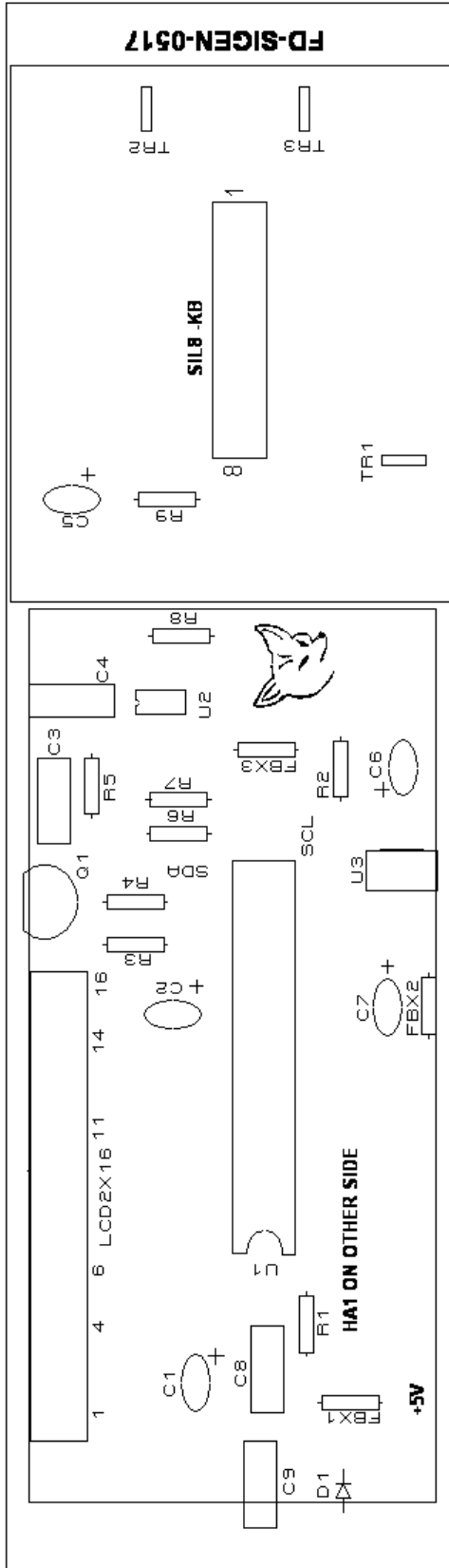
**Note: No metal Case available.**

# FD-SIGEN-0517 Si5351 HF/VHF VFO Schematic:

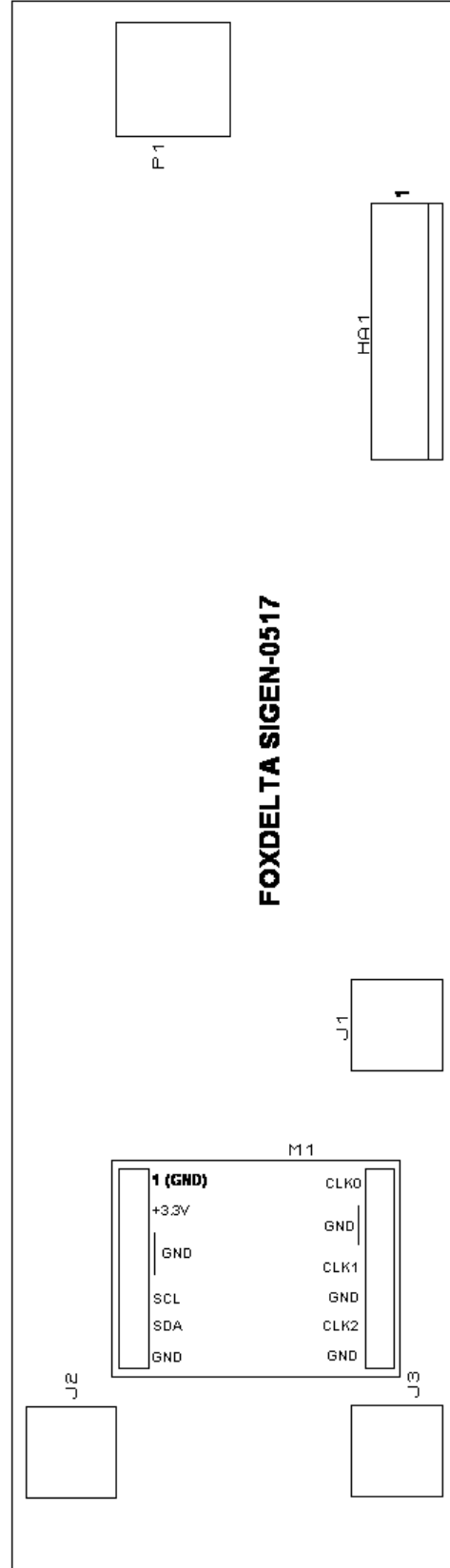


**FOXDELTA Si5351-VFO-0517**  
 Project & Design: Dinesh/UJ2FD, Frank/K7SFN, Tony/I2TZK

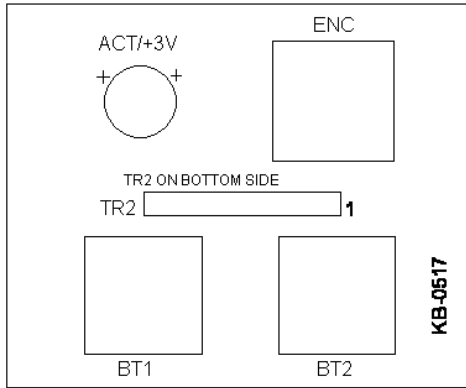
**FD-SIGEN - 0517 SILK TOP**



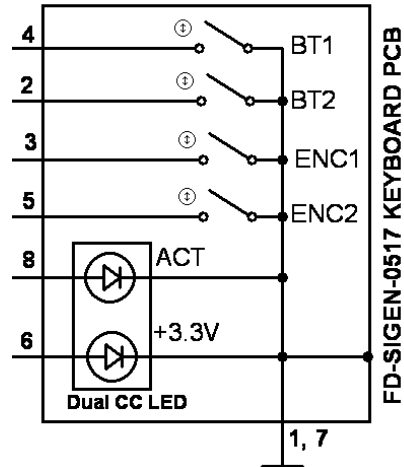
**BTTOM SIDE SILK:**



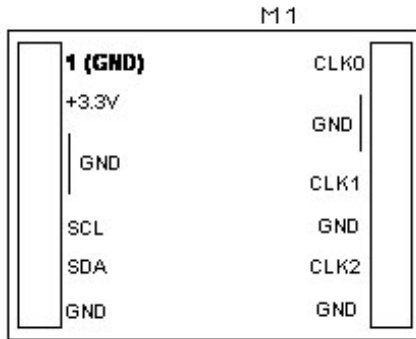
**SILK KEYBOARD PCB:**



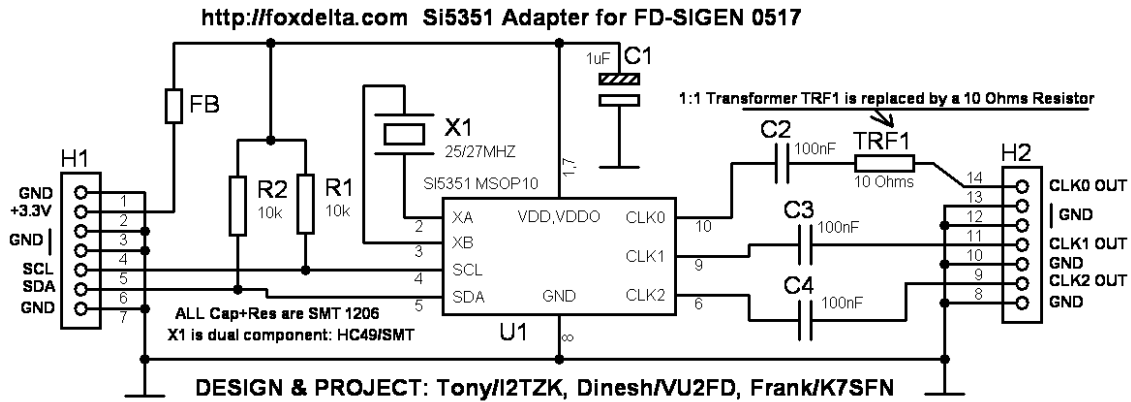
**Keyboard Schematic:**



**M1: Si5351 Module: Module PIN OUT:**



**M1 Module Schematic:**



73s / [Tony / I2TZK](#), [Frank / K7SFN](#), [Dinesh / VU2FD](#)  
18<sup>th</sup> July 2017

For more details, please visit Project Page: <http://www.foxdelta.com>