



Parts List & Schematic: **Serial Port Professional PIC Programmer**

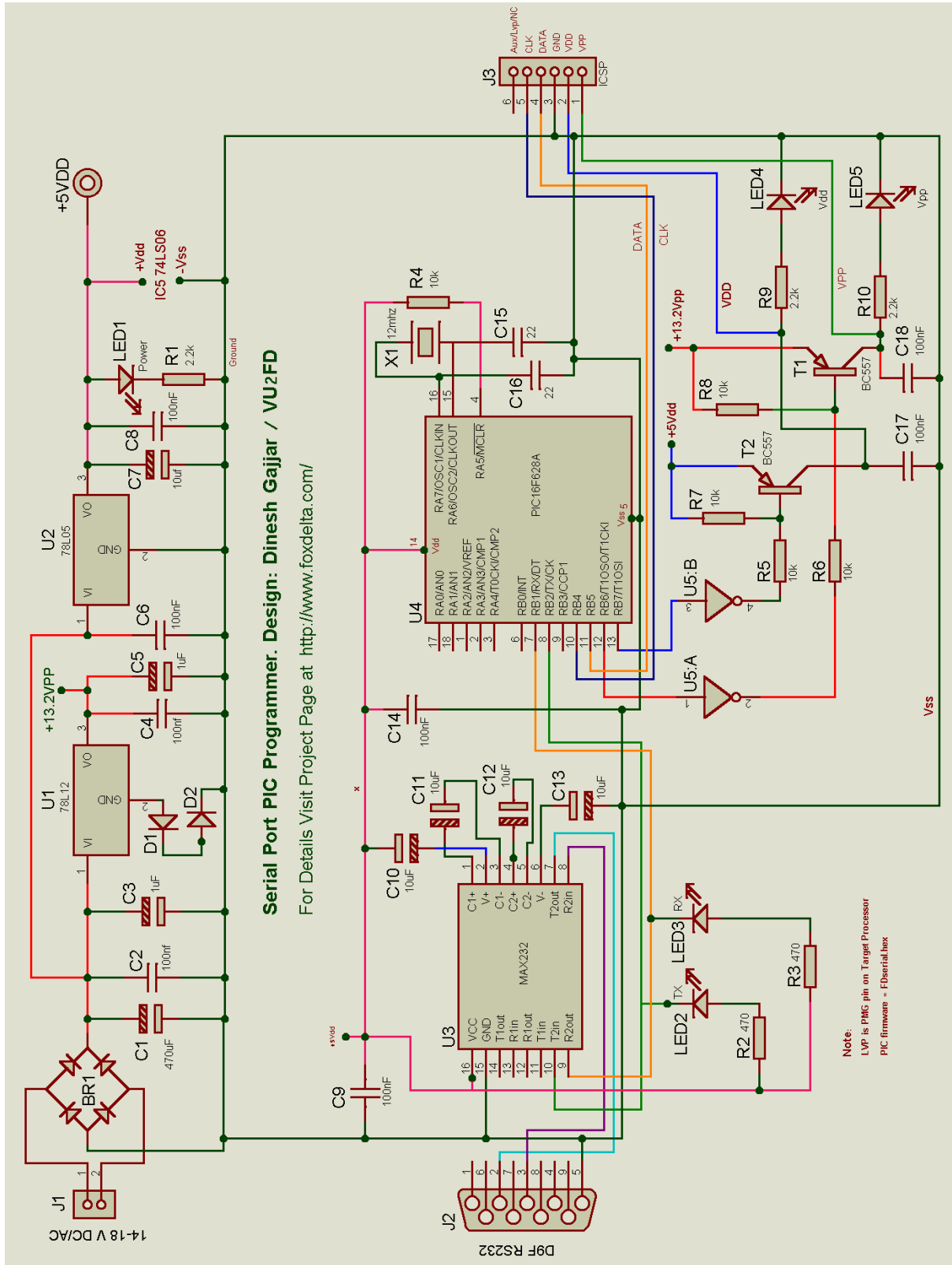
FD-SPP: Kit Parts List:

Schematic ID	Part No.
T1-2	BC557
U2	78L05
U1	78L12
U4	PIC16F628A with firmware FD-SPP-628A
U3	MAX232 or Equiv.
U5	74LS06 / 7406
LED1- 5	3mm LEDs
D1-2	1N4148
R1, 9, 10	2.2K
R2 - 3	470
R4, 5, 6, 7, 8, 11	10K
BR1	4X 1N4001
C1	470uf/25v
C2, 4, 6, 8, 9, 14, 17, 18,	0.1uf
C3, 5	1uf Tantalum
C7, 10, 11, 12, 13	6.8 - 10uf Tantalum
C15, 16	22pf
PCB	Double Sided PTH PCB (6 X 10 cm)
X1*	8, 10, 12, 16 or 20MHZ Crystal
J1	AC/DC 2Pin Power Socket
J2	D9F Female
J3	6 Pin Female 0.1Inch Header Socket

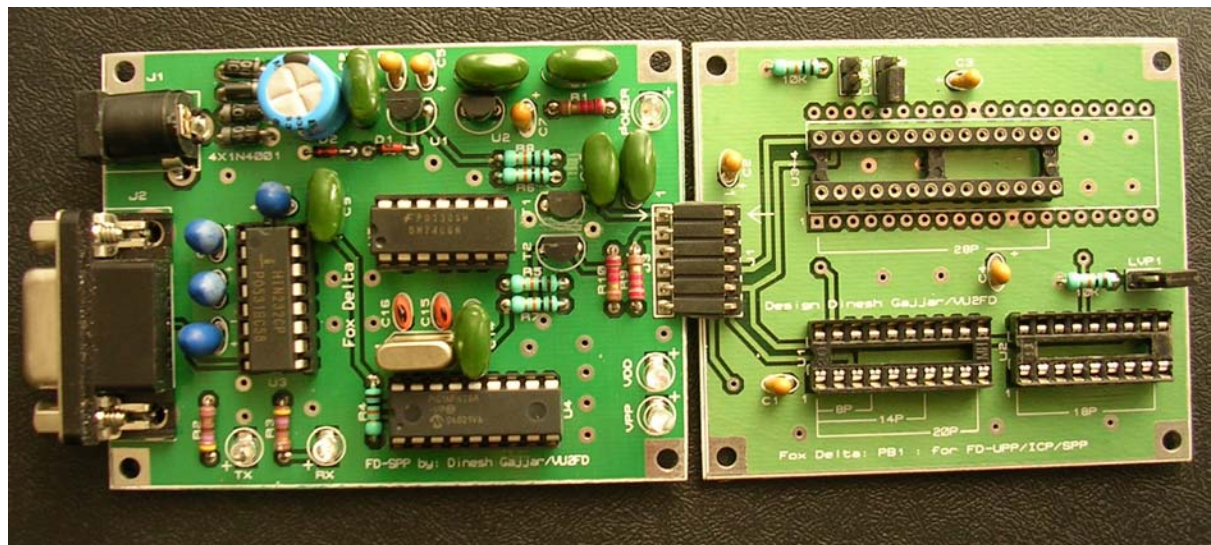
J3 Pin-outs are same as PICKIT-2

*Suitable firmware for PIC16F628A will be used according to frequency of the crystal installed or supplied with the Kit.

FD-SPP: Serial Port PIC Programmer Schematic:



Kit View of FD-SPP & PB1 (Fully assembled units):



Schematic & PCB Design: Dinesh Gajjar, VU2FD. Date: 20th Oct 2006.

Visit Project Page at: <http://www.foxdelta.com> for more info.