



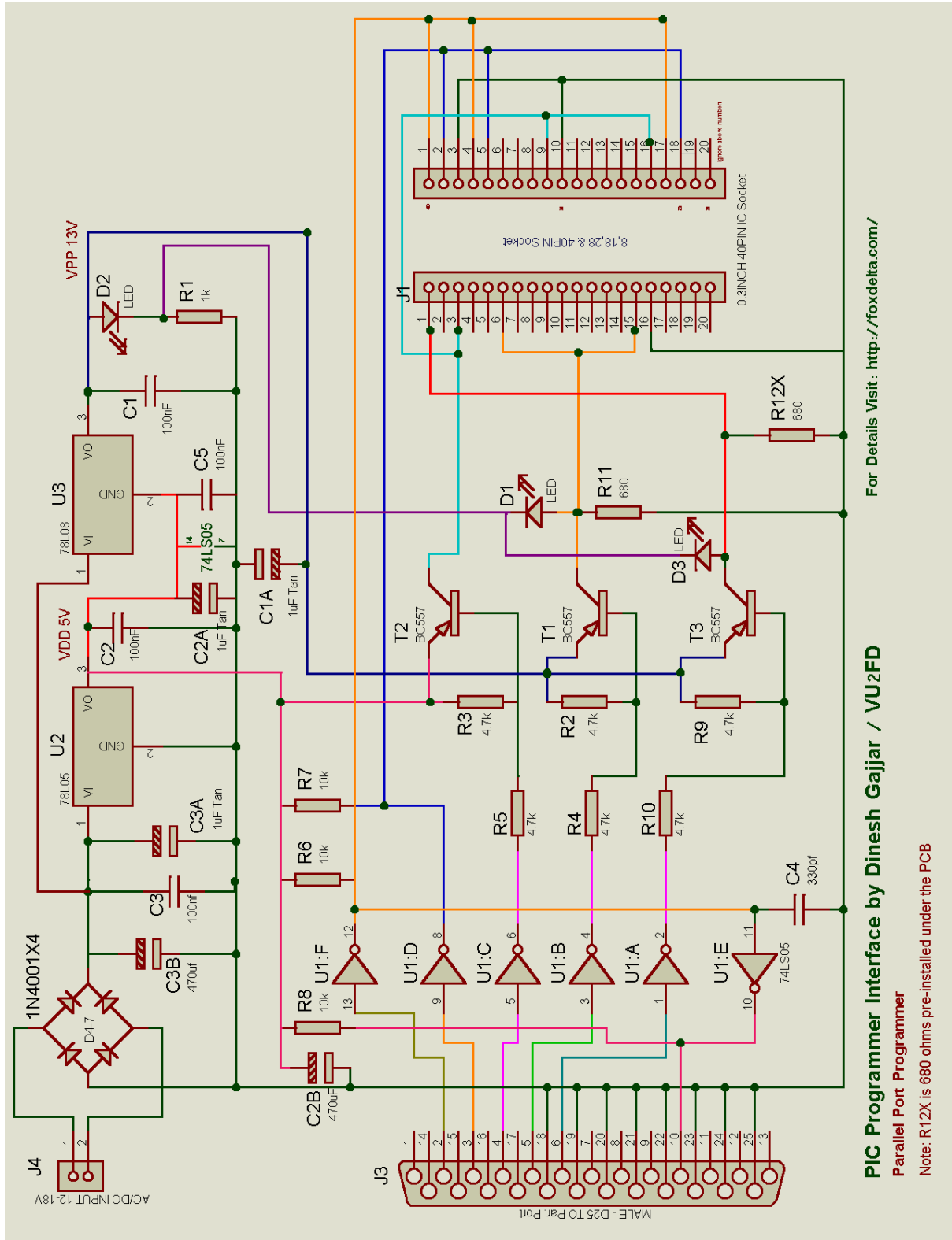
Parts List & Schematic: A Simple Parallel Port PIC Programmer

Parts List:

Part	Number	Purpose
T1-3	BC557	PNP GP SW
U1	74LS05	TTL OC Gates
U2	78L05	5V Positive Regulator
U3	78L08	8V Positive Regulator
R1	1K	Resistor 1/4W
R2 - 5, 9, 10	4.7K	Resistor 1/4W
R6-8	10K	Resistor 1/4W
R11	680 ohms	Resistor 1/4W
R12X	680 ohms (Pre-installed)	Resistor 1/4W
D1- 3	3mm LED	Red, Yellow & Green
D4-7	1N4001	Diode Rectifier 1A 100V
C1, 2, 3, 5	0.1uf	Capacitor / 50V
C3B	470uf /40V Electroly	Capacitor / 40V
C3A, C2A, C1A	1uf Tantalum	Capacitors / 35V
C2B*	470uf 25V	Capacitor/25V
C4	330pf	50V Ceramic
J4	2Pin Power Socket	12-16V AC or DC
J3	D25 Male	Parallel Port Connector
J1+2	40Pin 0.3Inch IC Socket	PIC Programming Socket

- Not essential component & may be omitted
- ** R12X is pre-installed under the PCB
- BC557 may be substituted by 2n series but requires proper orientation of Transistor.

Parallel Port PIC Programmer Schematic:



Design: Dinesh Gajjar, VU2FD. Updated: 27th July 2006.

Visit <http://foxdelta.com> for more info.