



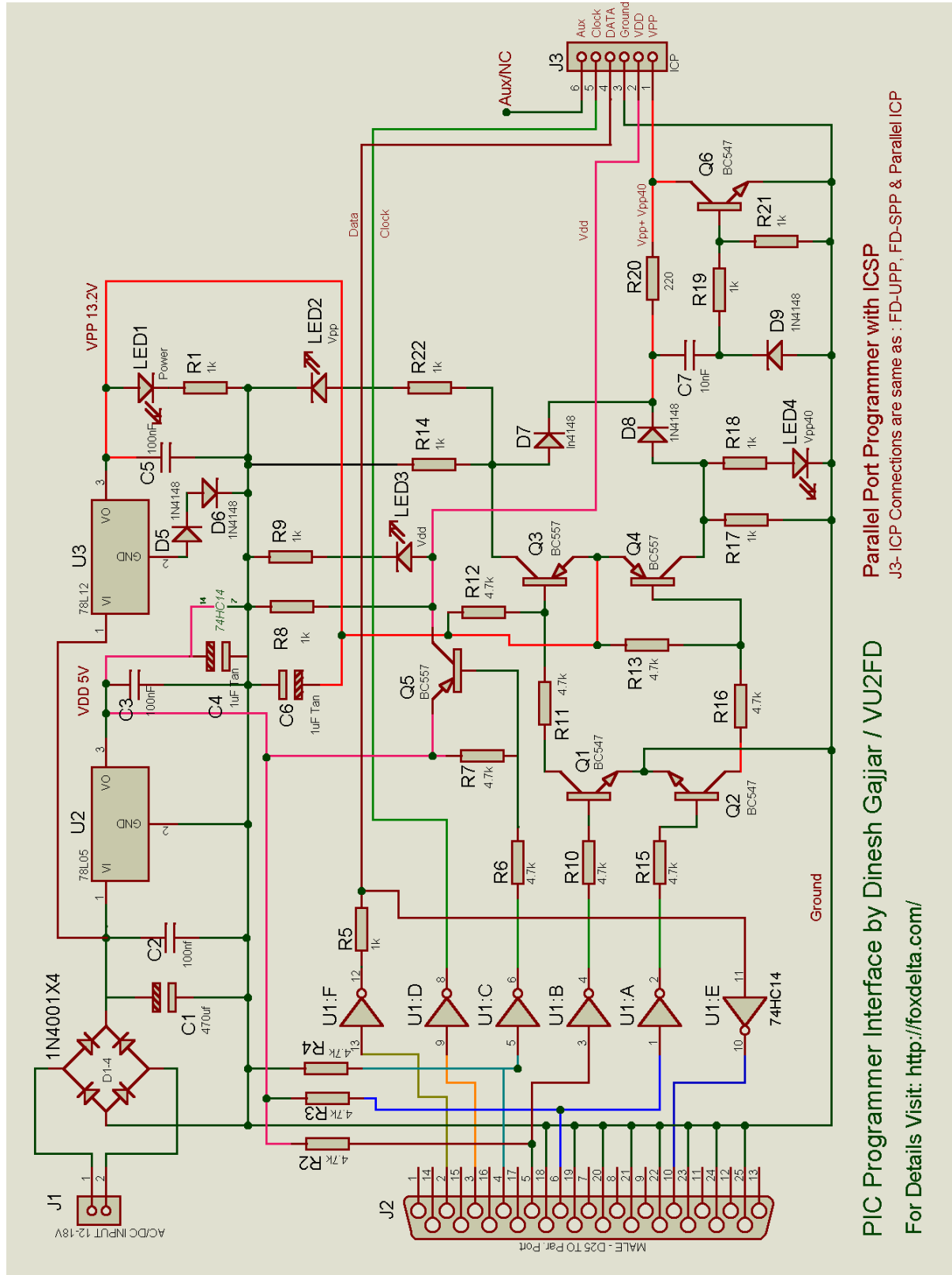
Parts List & Schematic: Parallel Port PIC Programmer With ICP

Parts List:

Part	Number	Purpose
Q1, 2, 6	BC547	PNP GP Sw
Q3, 4, 5	BC557	NPN GP Sw
U1	74HC14	Hex Sch Tri Gates
U2	78L05	5V Positive Regulator
U3	78L12	12V Positive Regulator
R1, 5, 8, 9, 14, 17, 18, 19, 21, 22	1K	Resistor 1/4W
R2, 3, 4, 6, 7, 10, 11, 12, 13, 15, 16	4.7K	Resistor 1/4W
R20	220 ohms	Resistor 1/4W
D1- 4	1N4001	Rectifier Diodes
D5, 6, 7,8,9	IN4148	Diode Switching
LED1-4	3mm LEDs	
C1	470uf 25V	Electro Capacitor
C2, 3, 5	100nf	Capacitor Ploy
C4, 6	1uf Tantalum	Capacitors / 35V
CX1, 2,3	If required	Not fitted / Not supplied
J1	2Pin Power Socket	12-16V AC or DC
J2	D25 Male	Parallel Port Connector
J3	6 Pin ICP R/A Header Female	Connects to Programming Socket Board

Schematic on the next page

Parallel Port ICP PIC Programmer Schematic:



Parallel Port Programmer with ICSP
 J3- ICP Connections are same as : FD-Upp, FD-SPP & Parallel ICP

PIC Programmer Interface by Dinesh Gajjar / VU2FD

For Details Visit: <http://foxdelta.com/>

Design: Dinesh Gajjar, VU2FD. 27th July 2006.

Visit <http://foxdelta.com> for more information.