



## Parts List & Schematic: ART2003 Parallel Port PIC Programmer for PIC18Fxxx

### Introduction:

Developed specifically for programming of PIC 18F2550 micro controllers, this parallel port, no power, programmer is the smallest of all programmers ever built.

A DB25 Male Connector, one capacitor and a resistor makes this self-powered programmer.

I built this programmer to program firmware into my PIC18F2550 which I wanted for my PICKIT2 inspired USB programmer.

A free windows based program called WINPIC800 V.3.59 is available for free download. This software is not intended for this programmer alone, you may use it for many other programmers made by others as well as some detailed here on this website.

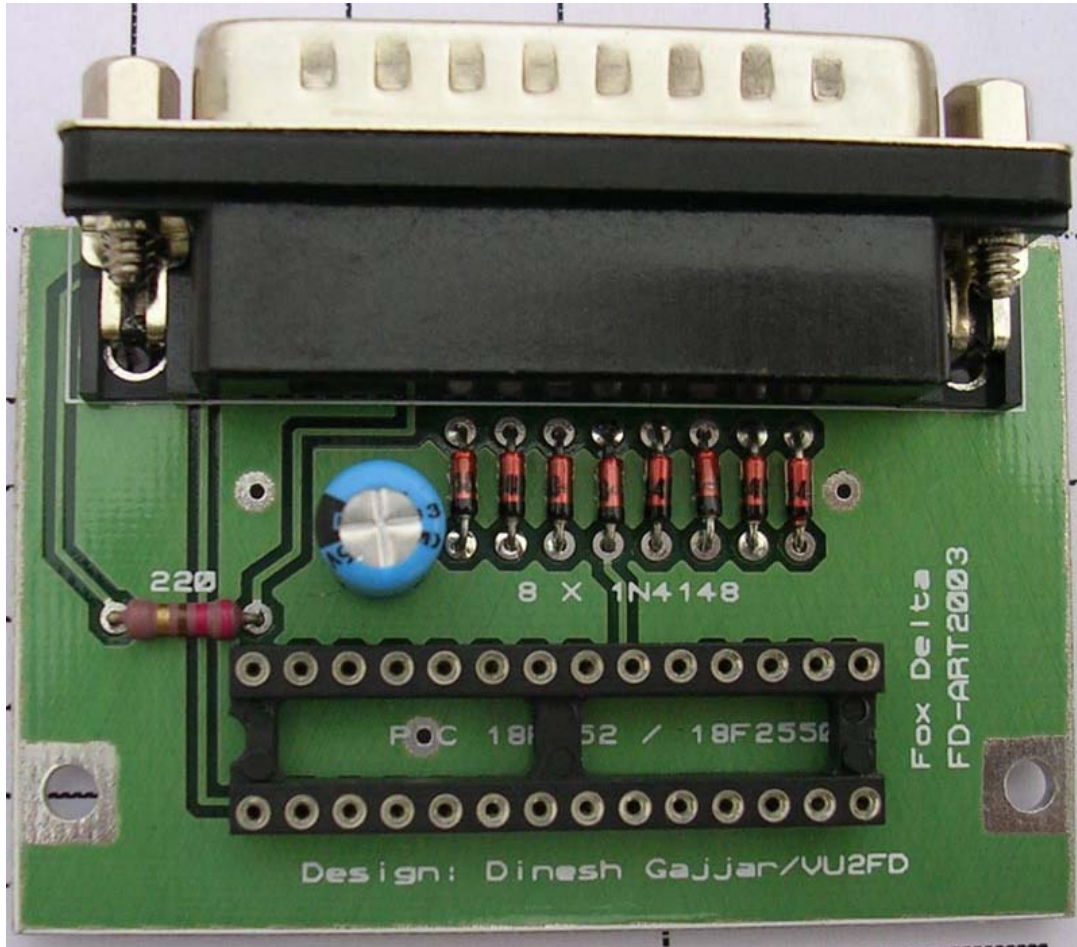
Although, programmer socket is wired for PIC18F250 & 2550, other PICs with similar pin connections may also be programmed in this programmer since many more are supported in the WINPIC800 software under Art2003 hardware.

Programmer is designed on a 6CM X 4CM, Double Sided PTH Board

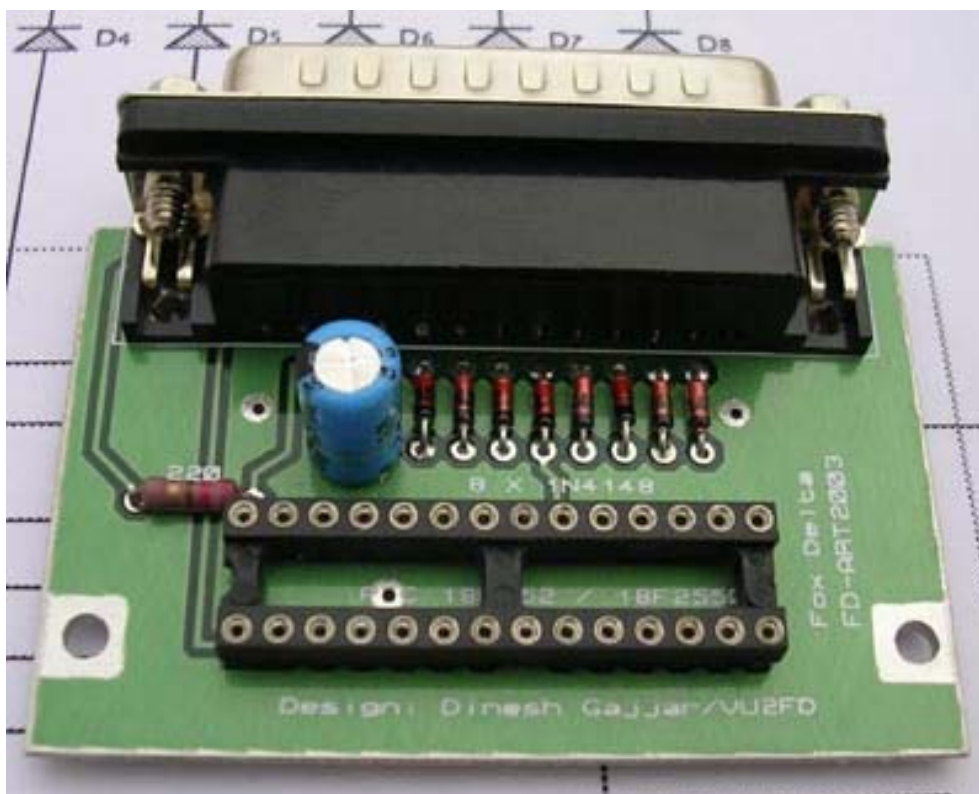
### Parts List:

Part	Number	Purpose
U1	28pin IC Socket	Programming Socket
R1	220 ohms	Resistor 1/4W
C1	47-100uf 15V	Electro Capacitor
D1-8	1N4148	Diodes
J1	D25 Male Parallel Connector	R/A PCB Mounted

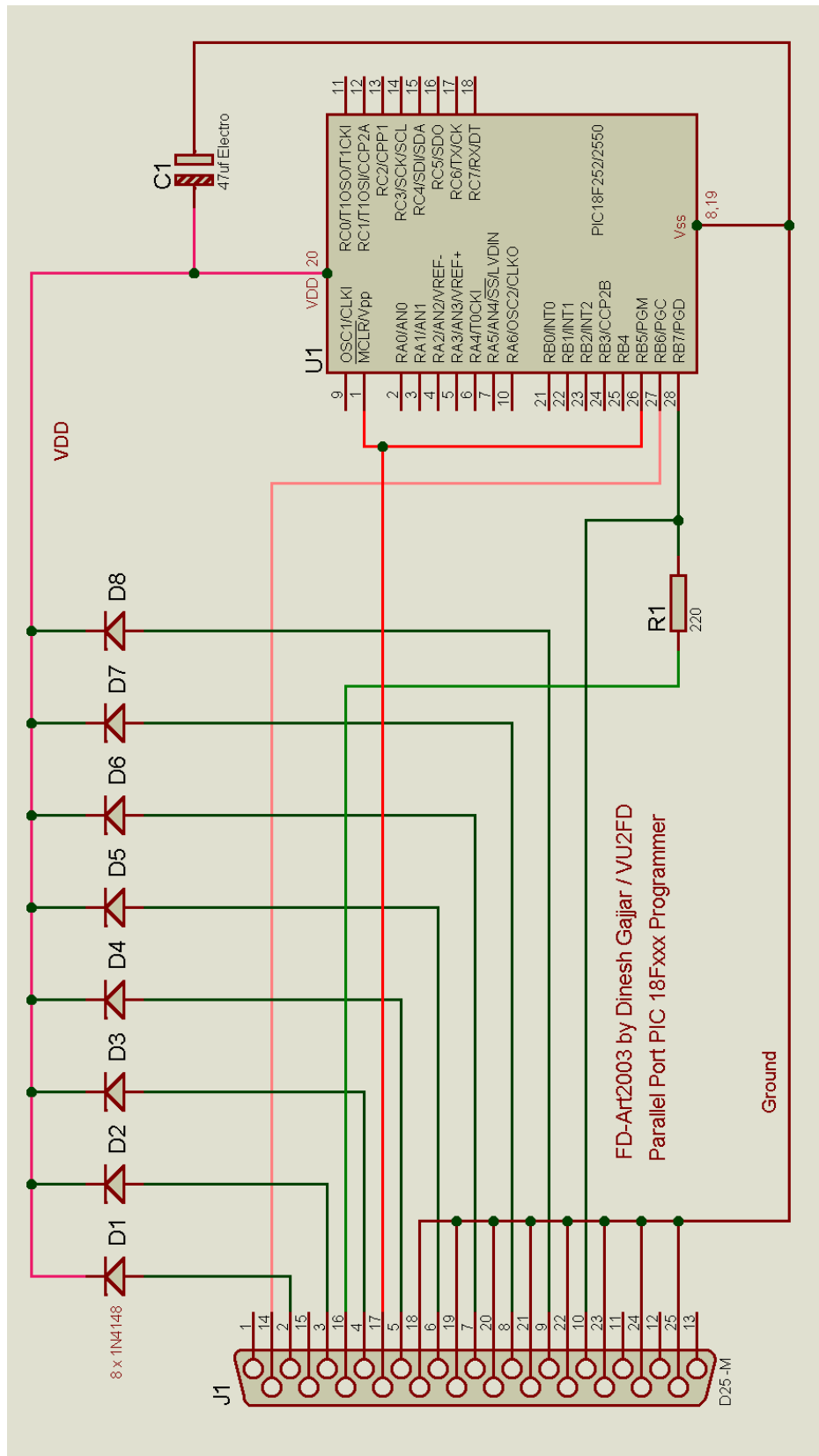
Picture of the completed ART2003 PIC 18FXXX Programmer Top View:



Another view of Tiny Programmer:



## Parallel Port ART2003 PIC 18Fxxx PIC Programmer Schematic:



Design: Dinesh Gajjar, VU2FD. 29<sup>th</sup> July 2006.

Visit <http://foxdelta.com> for more information.

(2)