



Fox Delta

Amateur Radio Projects & Kits

FD- MPSSC

Schematic & Parts list: PIC18F4520 Multi-Purpose Sensor System Controller

This project is developed for Amateur Radio Community by:

[Antonio Alfinito / I2TZK](#)

[Dinesh Gajjar / VU2FD](#)

[Frank Dzuirda / K7SFN](#)

PIC18F4520 Multi-Purpose Sensor System Controller:

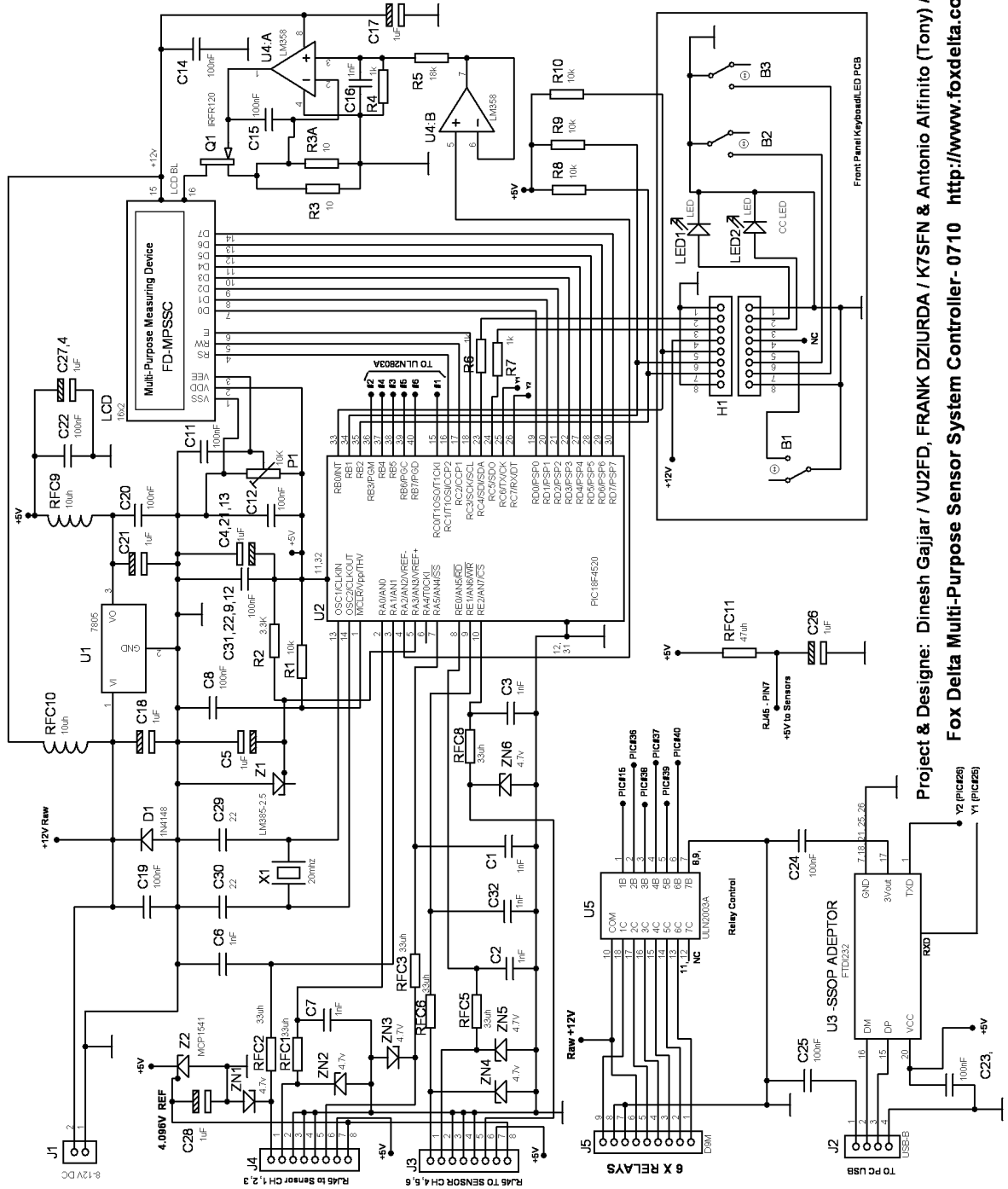
MPSSC Complete Kit includes following:

1. CPU Unit with Free metal case
2. Temperature Test Board with two temperature sensors.
3. CAT5 Cable for interconnection of CPU to Test Board

MPSSC CPU Unit:



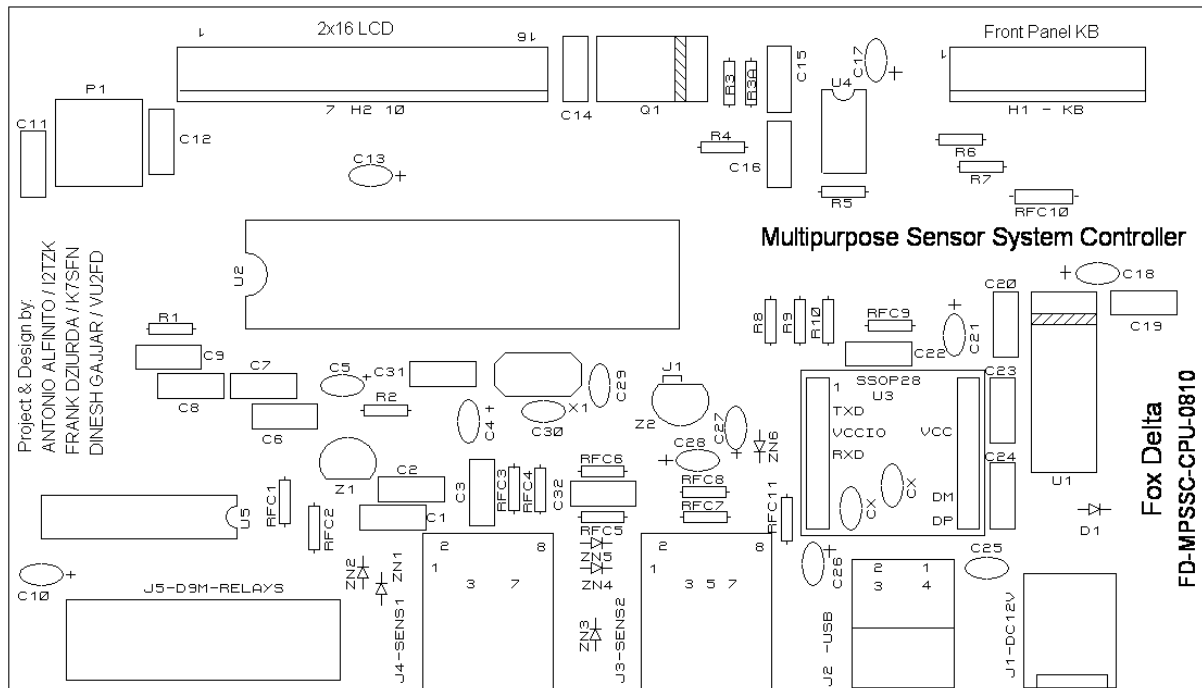
Multi-Purpose Sensor System Controller- CPU Schematic



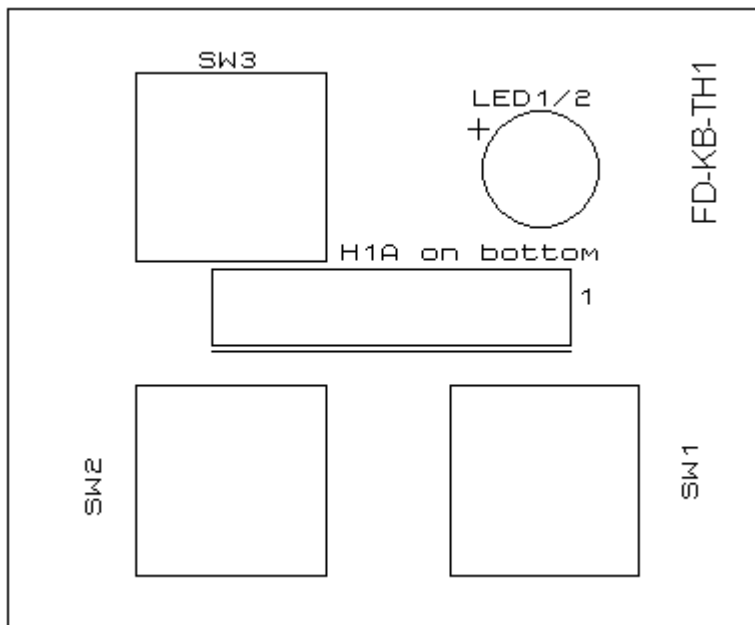
Project & Designe: Dinesh Gajjar / VU2FD, FRANK DZIURDA / K7SFN & Antonio Alfinito (Tony) / I2TZK
 Fox Delta Multi-Purpose Sensor System Controller- 0710 <http://www.foxdelta.com>

Y2 (PIC28)
 Y1 (PIC28)

MPSSC CPU Silk:



Keyboard Silk:

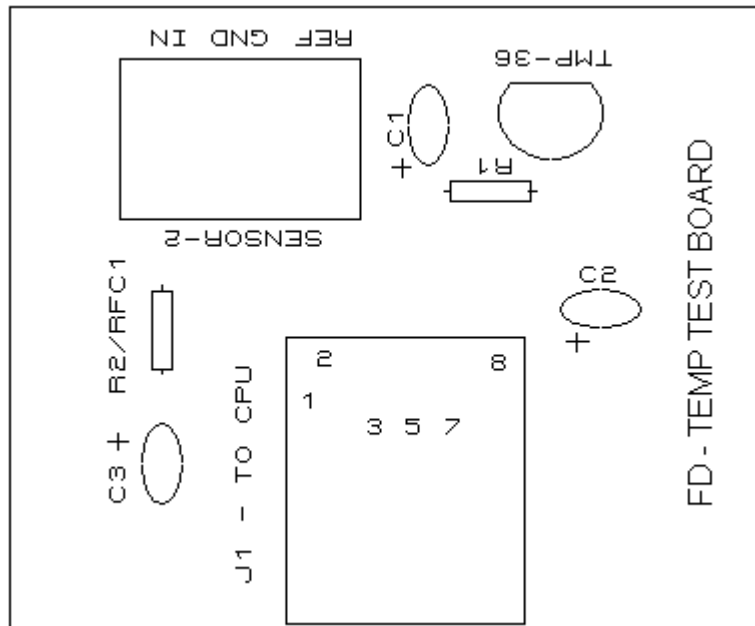


**H1A is SIL8 male connector installed on the Bottom side of the PCB.
 LED1/2 is Common Cathode Dual LED**

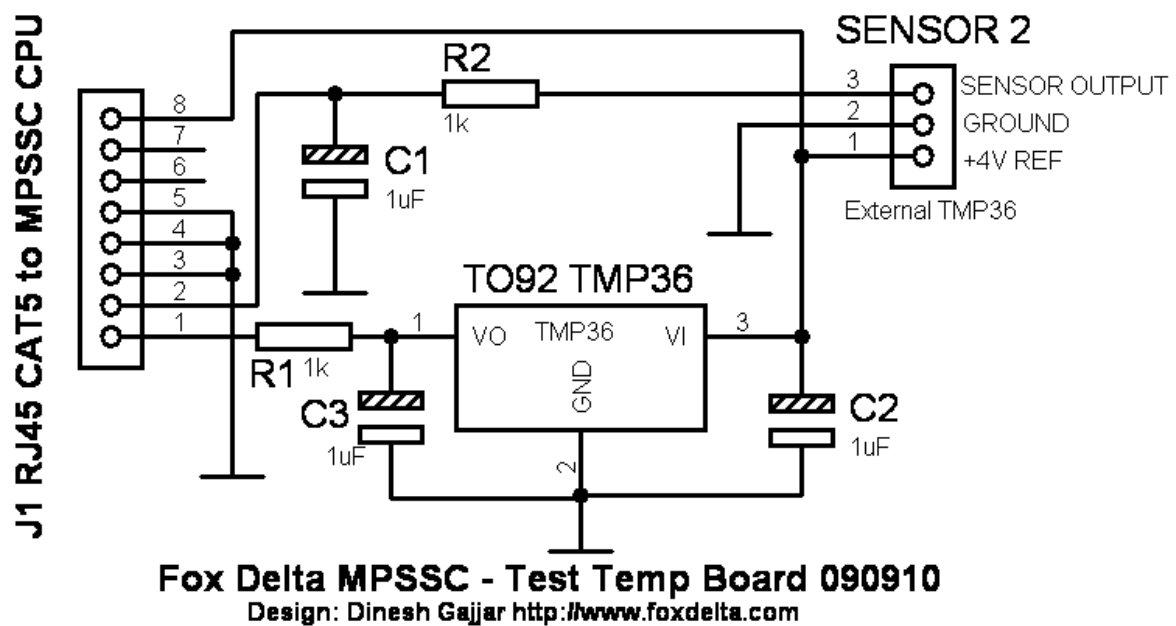
MPSSC CPU Board Parts List: Includes Free Temperature Test Board.

Quantity	Part ID	Part Details
1	U1	7805 TO220
1	U2	PIC18F4520 Pre-Programmed
1	U3	FTDI232 Pre-Soldered on 0.1inch Adepter
1	U4	LM385 DIP8
1	U5	ULN2803A Relay Driver
1	Q1	IRF120
2	Temp Sensor	Analog Devices TMP 36
1	D1	1N4148
1	Z1	LM385-2.5 TO92
1	Z2	MCP1541 TO92
6	ZN1-6	4.7V Zener Diodes
1	X1	20MHZ HC49U/US
1	Set	16SIL Male Female connectors for LCD
1	Set	8SIL Male Female connectors for Keyboard
1	16SIL	Ribbon Cable
1	8SIL	Ribbon Cable
1	LCD	16x2 with Backlight
1	P1	10K Bourns Preset
1	J1	12V DC Connector R/A PCB
1	J2	USB Connector R/A PCB
3	J3, 4	RJ45 R/A PCB Connector (One in Test Board)
1	J5	D9M R/A PCB
6	33-82uH	RFC1, 2, 3, 5, 6, 8,
5	10uH	RFC 4, 7, 9, 10, 11
3	DIP Sockets	IC Sockets: 40PIN, 18PIN & 8PIN
1	Set	Male/Female 0.1inch Headers for U3
1	Case	Free Powder Coated Metal Case
3	Push BTN	12mm Pushbuttons
1	LED	Dual Color 3mm LED for Keyboard
3	PCB	Keyboard, CPU and Test Board
1	Terminal Block	3 Pin terminal Block for Test Board.
1	Cable	CAT5 Straight 1Mtr
All Resistors 1/4 W 5%		
1	47K	R1
1	3.3K	R2
2	10 Ohms	R3, 3A
5	1K	R4, 6, 7, (R1 & R2 in Test Board)
3	10K	R8, 9, 10
1	18K	R5
Capacitors		
13	1uf Tant.	C10, 18, 21, 17, 26, 27, 28, 4, 5, 13, (3 for Test Board)
7	0.001uf Poly	C1, 2, 3, 6, 7, 8, 16
11	0.1uf Poly	C9, 11, 12, 14, 15, 19, 20, 23, 24, 22, 31
2	22pf Cer.	C29, 30
1	0.1uf Cer.	C25

Free Temperature Test Board Silk: INCLUDED WITH KIT / ASSEMBLED



Temperature Test Board Schematic:



Note: Temperature Test Board Parts are listed in CPU Parts List.

73s

[Antonio Alfinito / I2TZK](#)

[Dinesh Gajjar / VU2FD](#)

[Frank Dzuirda / K7SFN](#)

19th September 2010

For more details, please visit Project Page: <http://www.foxdelta.com>