



# Fox Delta

Amateur Radio Projects & Kits

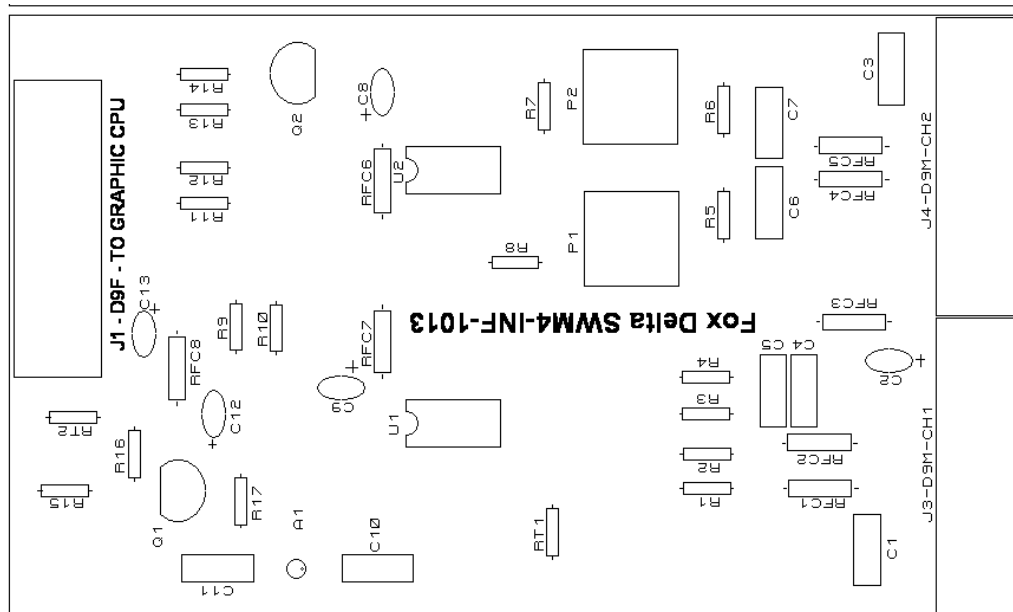
FD-SWM4-INF-1013

## Schematic and Parts list: SWM4-INF-1013 Interface for GCPU-0613

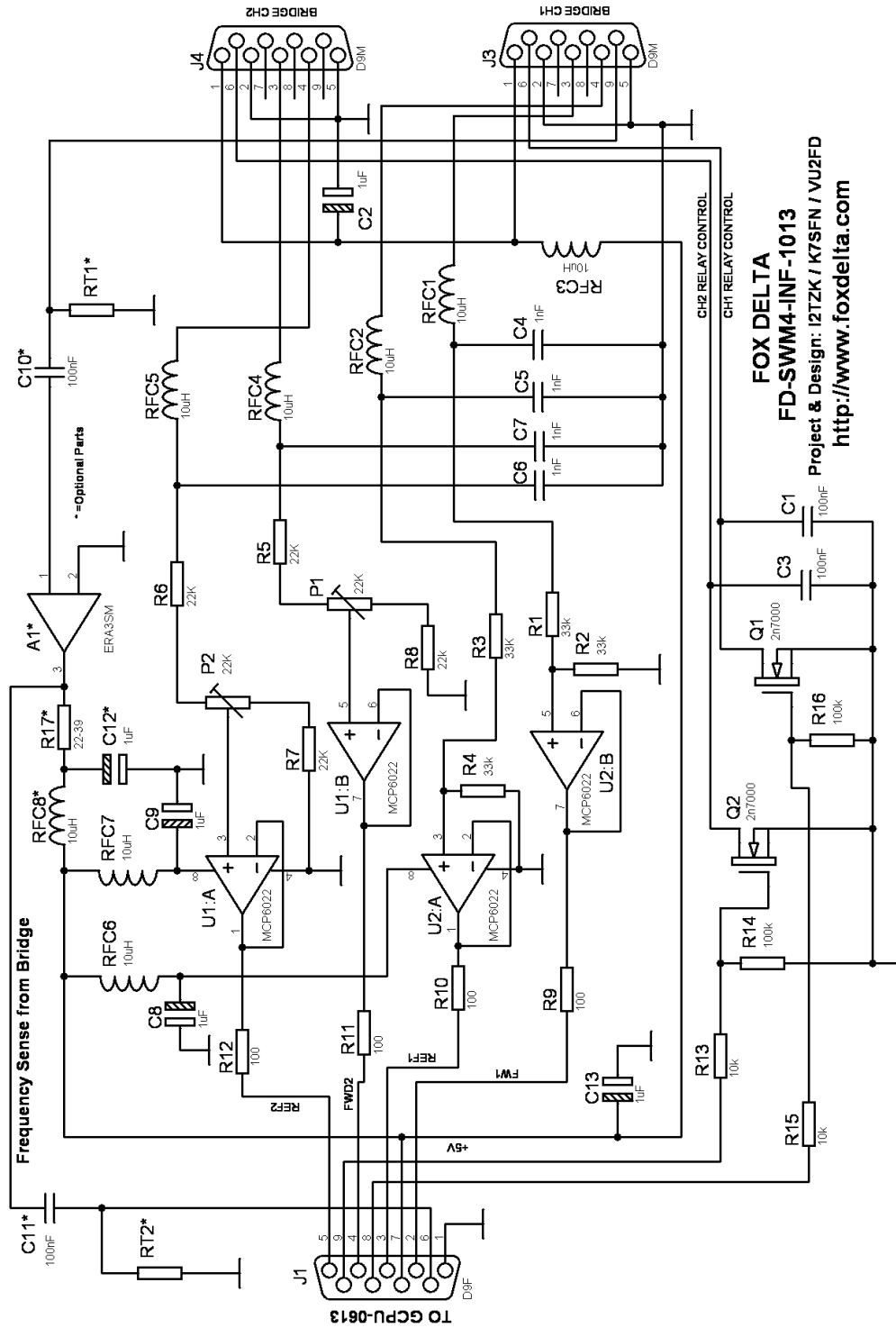
### SWM4-INF-1013 KIT PARTS LIST:

Quantity	Part No.	Part ID
1	PCB	SWM4-INF-1013 DSPTH PCB
2	U1, U2	MCP6022 DIP8
2	P1, P2	Presets 20K
2	IC Sockets	8DIP
2	J3, J4	D9M connects to HF/VHF Analog Bridges
1	J1	D9F connects to GCPU
2	Q1, Q2	2N7000
4	R1, 2, 3, 4,	33K 5% Resistors 1/4 W
4	R5, 6, 7, 8,	22K
2	R14, R16	100K
2	R13, 15	10K
4	R9, 10, 11, 12	100
1	R17	33
0	RT1, RT2	Termination Resistors: Not included
1	Hardware	PCB and Case Hardware
1	Metal Case	Free Powder Coated Metal Case
10	RFC1 - 8	10uH RFCs
5	C2, 8, 9, 12, 13	1uF Tantalum
4	C4, 5, 6, 7,	0.001uF Poly/Mylr
2	C1, 3	0.1uF Poly/Mylr
1	Q1	ERA3SM (Pre-soldered)

### SWM4-INF-1013 PCB SILK:



**SWM4-INF-1013 Schematic:**



**FOX DELTA**  
**FD-SWM4-INF-1013**  
 Project & Design: I2TZK / K7SFN / VU2FD  
<http://www.foxdelta.com>