



# Fox Delta

Amateur Radio Projects & Kits

FC4 - 0614

## Schematic & Parts List: PIC18F2550 50/500MHZ Frequency Counter & RF Meter

### FC4-0614 50/500MHZ Frequency Counter and RF Meter Kit Parts List:

Quantity	Part ID	Details
1	U4	PIC18F2550 DIP28 Pre-loaded FW V1.0
1	PCB	FD-FC4-0614
1	IC Socket	28 PIN DIP
1	U1	AD8307 SO8
1	Z1	LM385-2.5V
1	U2	MC12080 SO8
1	U3	74VHC00 SO14
1	Q1	ERA-3SM / SGA3486
1	Q2	BFR93A
1	OSC	Oscillator 20MHZ
1	LED	3mm
1	RFC1+BD	82-100uH+Ferrite Bead
3	RFC4, 7, 6,	10uH
3	RFC2, 3, 5,	33-47uH
1	Z2	LP2950/3.3V
1	J1	BNC R/A Connector
1	J2	USB Connector
1	J3	D9F
1	Case	Free powder coated metal case.
1	Set	Headers 3PINX1, 2PINX1

### Capacitors:

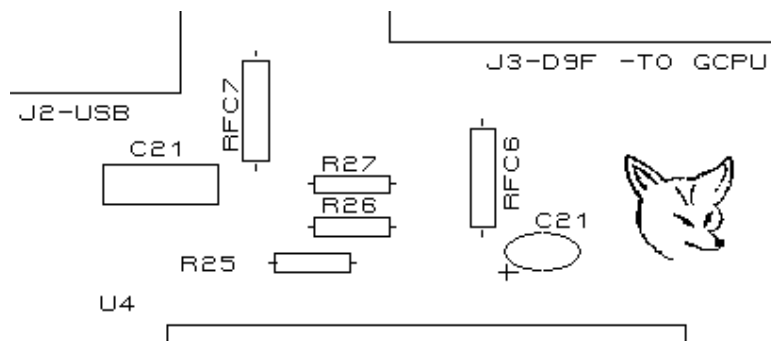
Quantity	Part ID	Details
9	C1, 3, 4, 11, 14, 10, 2, 9, 19	0.01uF Ploy
3	C12, 21*, 6	0.1uF Ploy
8	C13, 7, 5, 8, 15, 16, 18, 21*	1uF Tantalum
1	C17	10uF Tantalum
1	C20	0.47uf

\* = Refer to SILK error details below

## Resistors:

Quantity	Part ID	Details
3	R1, 2, 3	18 ohms
1	R6	100K
2	R4, 5	100 ohms
1	R7	10 ohms
1	R8	820 ohms
2	R9, 18	750K
1	R10	820K
1	R12	680K
2	R13, 11	220 ohms
1	R14	470 ohms
1	R15	1.5K
1	R16	33 ohms
1	R19	150 ohms
1	R17	680 ohms
1	R20	4.7K
6	R21, 24, 25, 26, 27, 28	10K
1	R23	470K
1	R22	3.3K

## FC4-0614 PCBs has one silk error:



**C21 are at two places:**

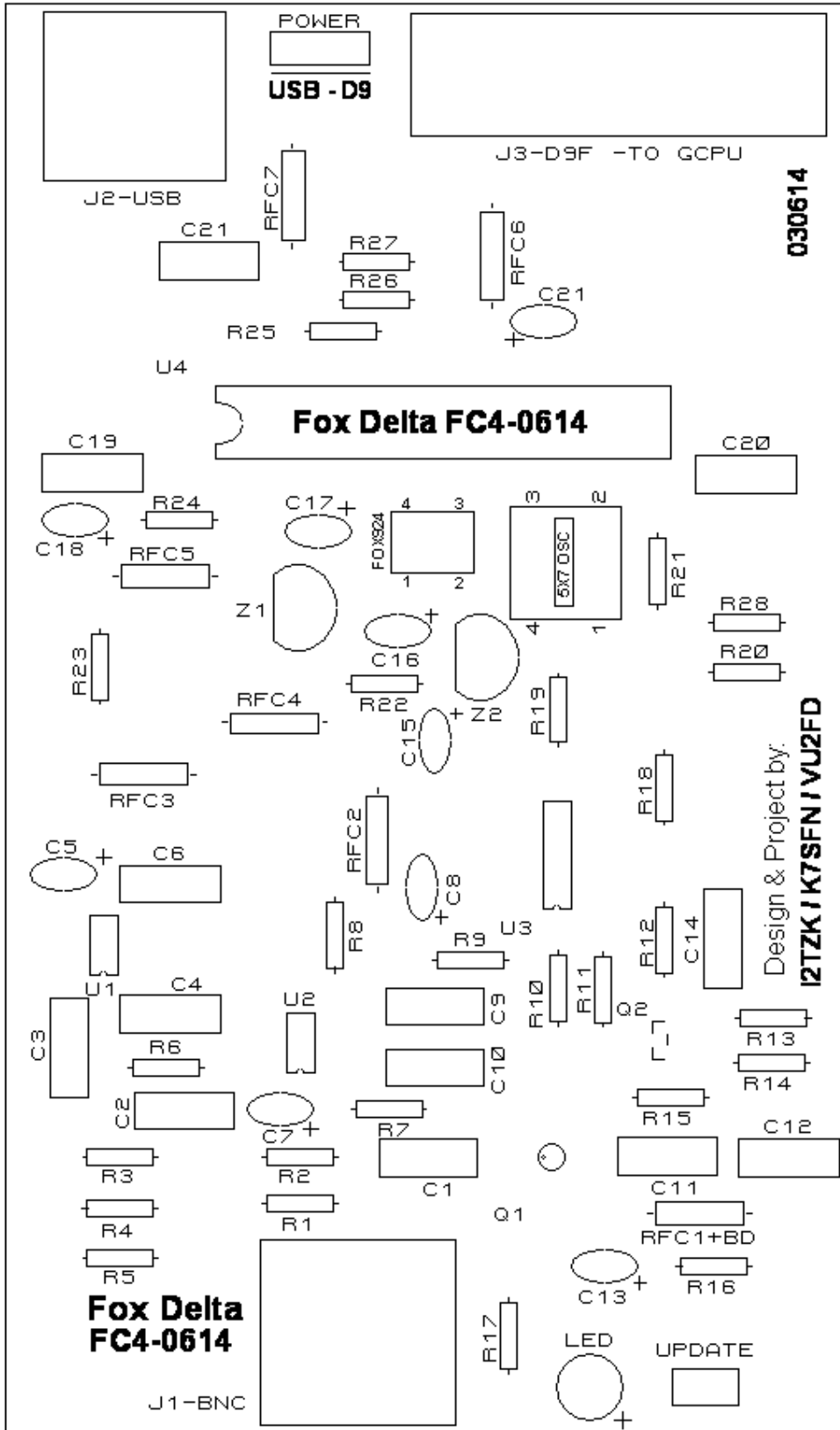
**C21 Rectangle is 0.1uF Poly**

**C21 oval with polarity mark is 1uF tantalum**

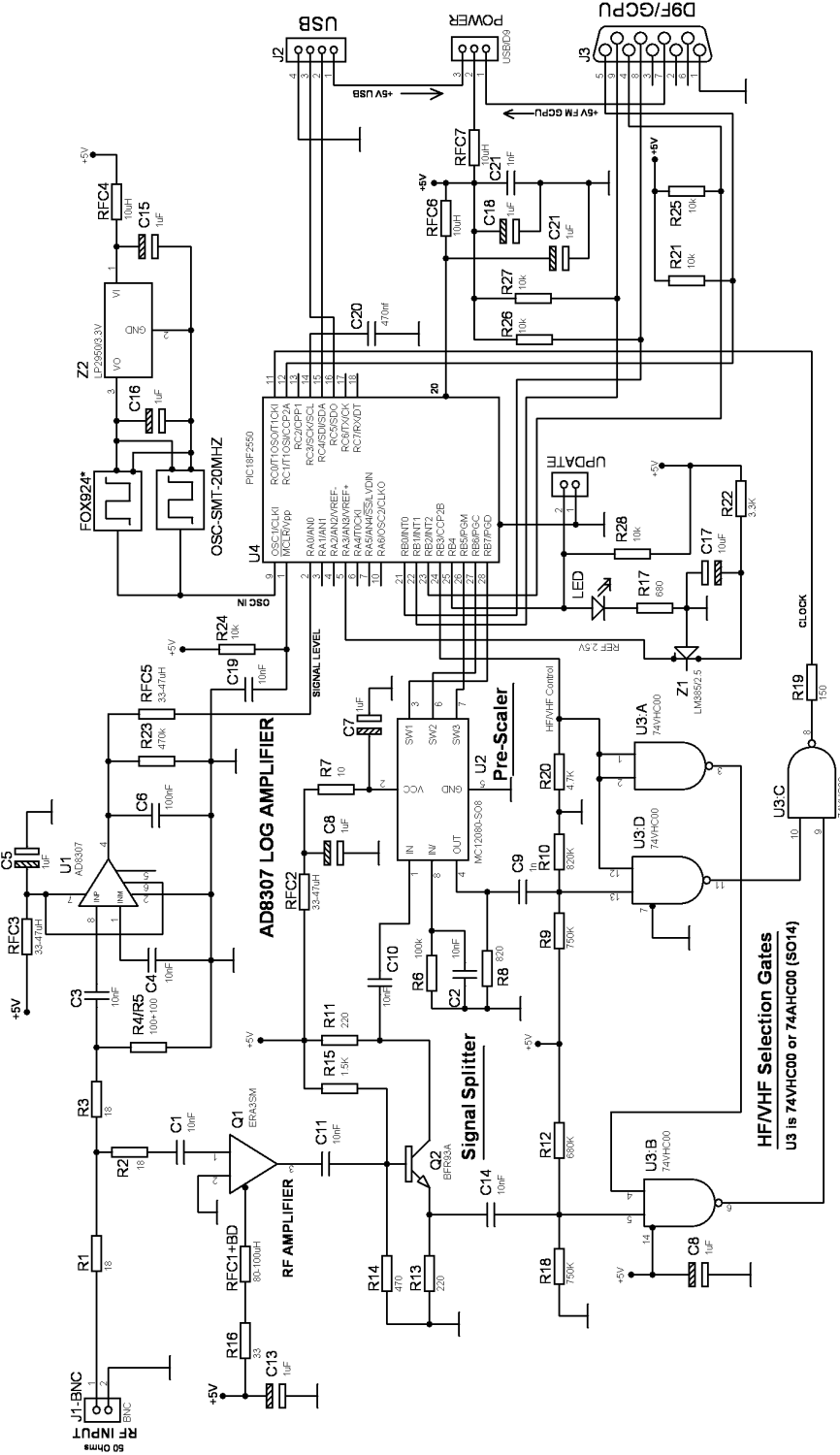
**Schematic Error:**

**C9 is marked in Schematic as 1n (.001) is now replaced by 0.01uf**

**FC4-0614 CPU Silk:**



# FC4 - 0614 50 / 500MHz Frequency Counter & RF Meter for PC or Graphic CPU



Project & Design: ANTONIO ALFINITO / I2TZK, FRANK DZIURDA / K7SFN, DINESH GAJJAR / VU2FD