



Fox Delta

Amateur Radio Projects & Kits

FD- GCPUx - 0815

GCPUx-0815 Parts List: PIC18F4550 General Purpose 128X64 Graphic LCD CPU

GCPUx – 0815 Parts List:

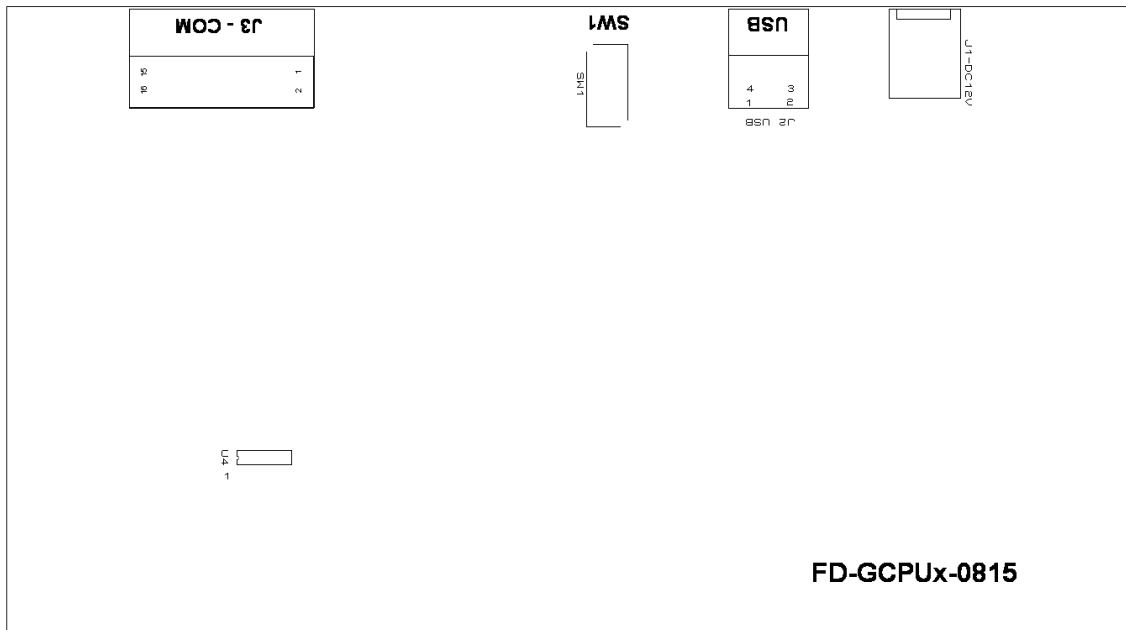
Qty	Part ID	Part Details
1	U1	PIC18F4550 Pre-Programmed DIP40
1	LCD	128X64 Graphic LCD: JHD128X64E
1	Q1	IRFD110
1	LCD Connector	20 SIL LCD Connector (10+10) + Ribbon Cable
1	Z1	LM385-2.5V
1	J1	DC 12V connector
1	J2	USB PCB Connector
1	J3	FRC16 Ext. COMM CONNECTOR
2	FC1, FC2	Female FRC16 Connectors
1	SW1	USB / DC Selector switch
1	U2	74HC165 DIP16
1	U3	LM2940-5V TO220 (LDO)
1	U4	74HC14 SO14 (Pre-Soldered)
3	D1, D3, D4	1N4007
1	D2	1N5719
5	ZD1, 2, 3, 4, 5	5.1V Protection Zeners
4	BT1, 2, 3, 4 (KB)	Keyboard 12MM Push Buttons
1	FD-GCPUx-0815	Double Sided PTH PCB Main Board +HW
1	PCB (KB)	Double Sided PTH PCB Keyboard + HW
1	P1	10K Preset (LCD Contrast)
1	POT (PKB1)	10K POT + Knob (LCD Backlight Control)
1	OSC	20MHZ Crystal Oscillator
1	DIP SW	DIP 8 POSITION: CPU CONFIG
1	H1A	2 X 8 SIL Connector + Ribbon Cable for KB
1	DIP16	IC Sockets
1	40DIP	IC Socket
8	FBX1, 2, 3, 4, 5, 6, 7, 8	Ferrite Beads
1	Set	Nuts / Bolts for LCD and KB Mounting
1	Case	Free Powder Coated Metal Case + Hardware
4	Sets	LCD, Main board, Project Board and KB Spacers + Bolts

Note: U5/74HC14 is SMT part and is supplied pre-soldered on PCB for kits

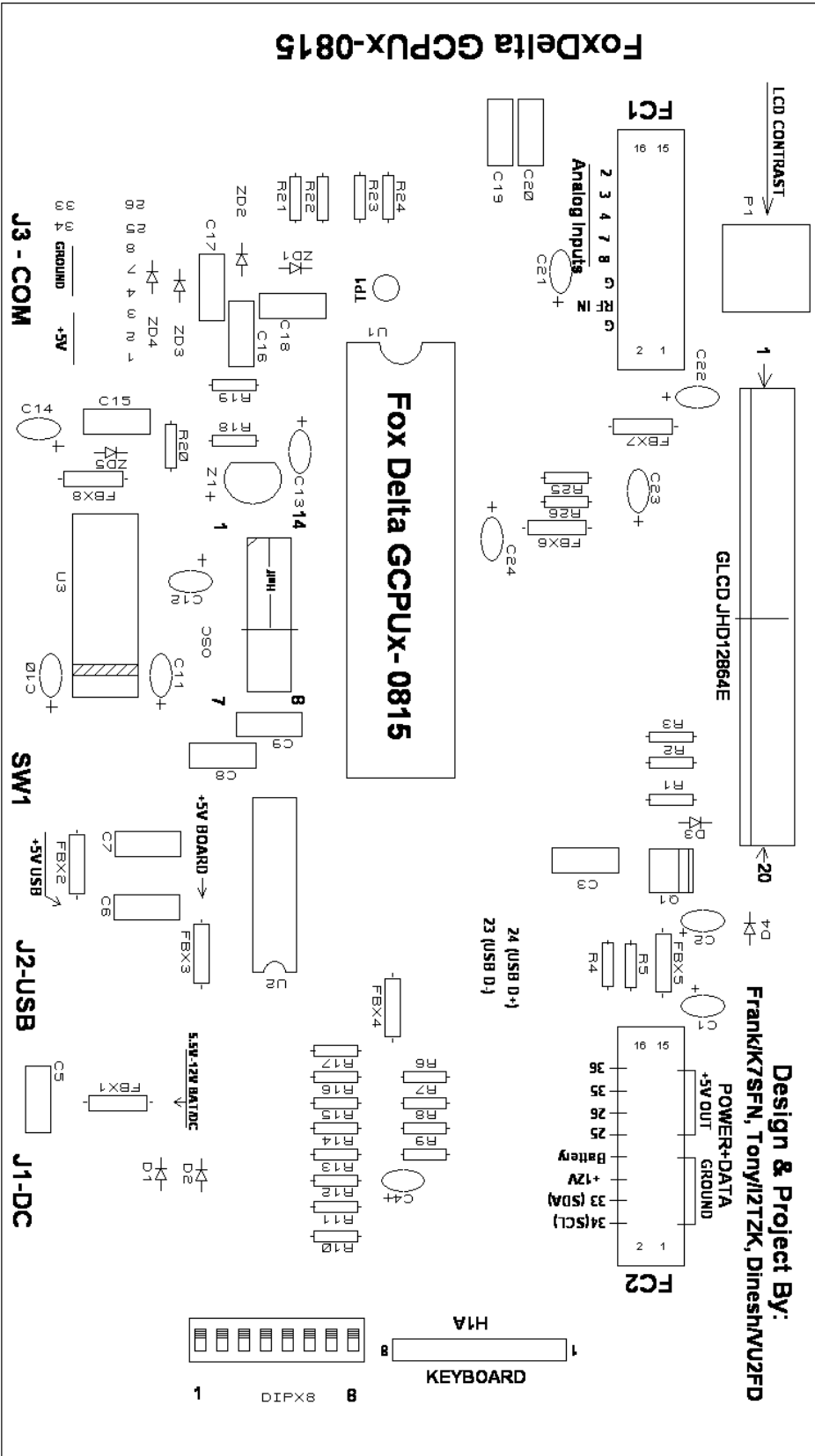
QTTY	Capacitors	
9	C1, 2, 4, 12, 14, 21, 22, 23, 24	1uF Tantalum 35V
5	C5, 6, 7, 8, 16	0.1uF Poly
6	C3, 15, 17, 18, 19, 20	0.001uf Poly
1	C9	0.47uF Poly
2	C10, 11	22uf Tantalum
1	C13	10uF Tantalum

QTTY	All Resistors ¼ W 5%	
2	R1, 2	1K
17	R3, R6 to 17, R19, R20, R25, R26	10K
2	R4, RKB1	220 Ohms
1	R5	2.2K
1	R18	3.3K
4	R21, 22, 23, 24	470K

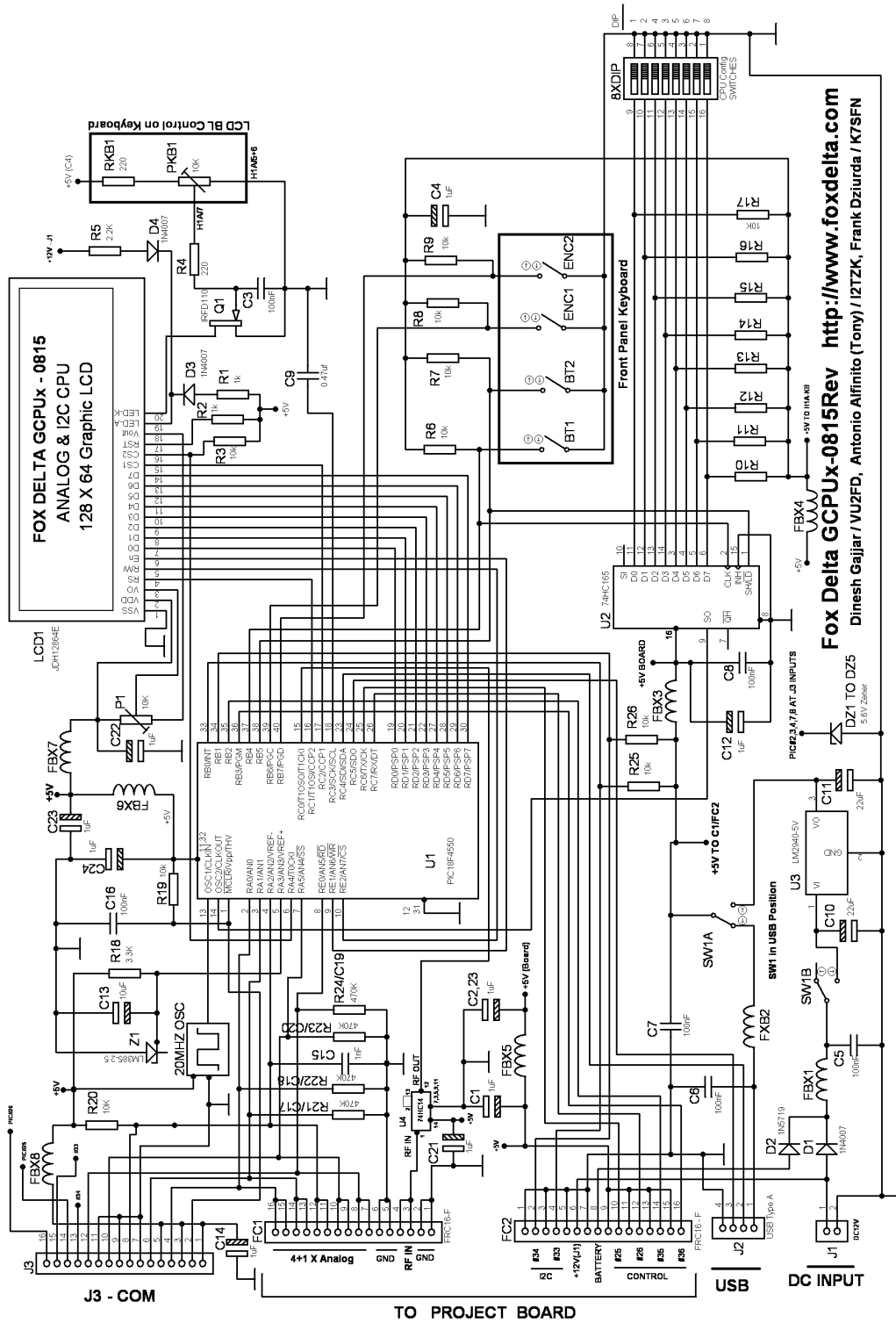
GCPU-0815 PCB BOTTOM SIDE SILK:



GCPU-0815 PCB TOP SIDE SILK:



GCPU-0815 SCHEMATIC:



Fox Delta GCPuX-0815Rev <http://www.foxdelta.com>
 Dinesh Gajjar / VU2FD, Antonio Alfinito (Tony) / I2TZK, Frank Dziurda / K7SFN

73s
 Dinesh Gajjar
 15th November 2015

For more details, please visit Project Page: <http://www.foxdelta.com>