



Fox Delta

Amateur Radio Projects & Kits

FD- GCPuX-Battery-1115

GCPuX-Battery-1115 Kit Parts List: Battery Charger board for GCPuX

Battery Charger Board Kit for GCPuX:



GCPuX metal case backside view:



Battery Charger Intro:

Battery board for GCPuX project metal case installs on the roof of the case. This charger is based on Maxim's MAX712 charge regulator. BD678 is used as a pass/charge current controller.

In addition to battery charging circuit on this board, it also includes bluetooth interface socket which accepts a small bluetooth module (BT2 type) which uses HC05 type cheap module.

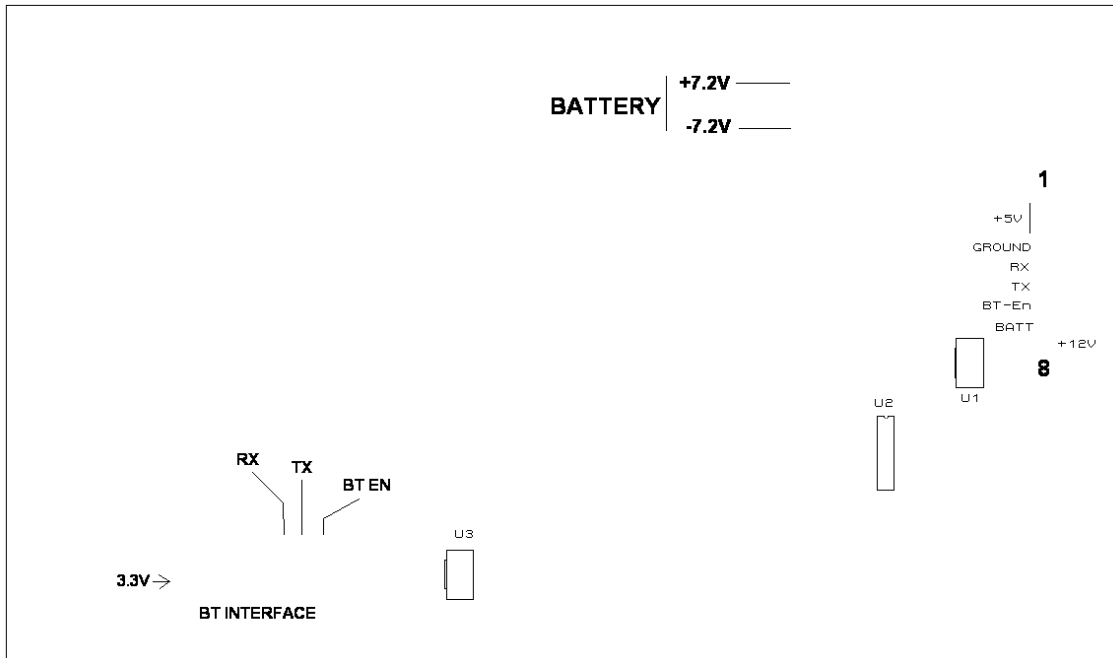
Battery Charger for GCPuX – 1115 Parts List:

Qty	Part ID	Part Details
1	U1	AMS1117-5V
1	PCB	FD-GCPuX-BAT-1115 DSPTH BOARD
1	U2	MX712 SO16 (Pre-solderd on PCB)
1	U3	AMS1117-3.3V
1	SW1	Push Switch (Battery ON/OFF)
1	FRC R/A	16PIN FRC Right angle to BT Interface
1	Q1	BD678 TO220
1	D1	1N5817/18
1	LED	3mm LED
6	C1, 2, 4, 5, 7, 8,	1uF Tantalum
2	C6, 3,	0.01uF Poly
4	R1A/B/C/D	2.2 ohms
1	R2	68K
1	R3	22K
1	R4	4.7K
1	R5	150 ohms
1+1	BX1	SIL 8PIN R/A Connector + Ribbon Cable
1	Hardware	PCB mounting hardware

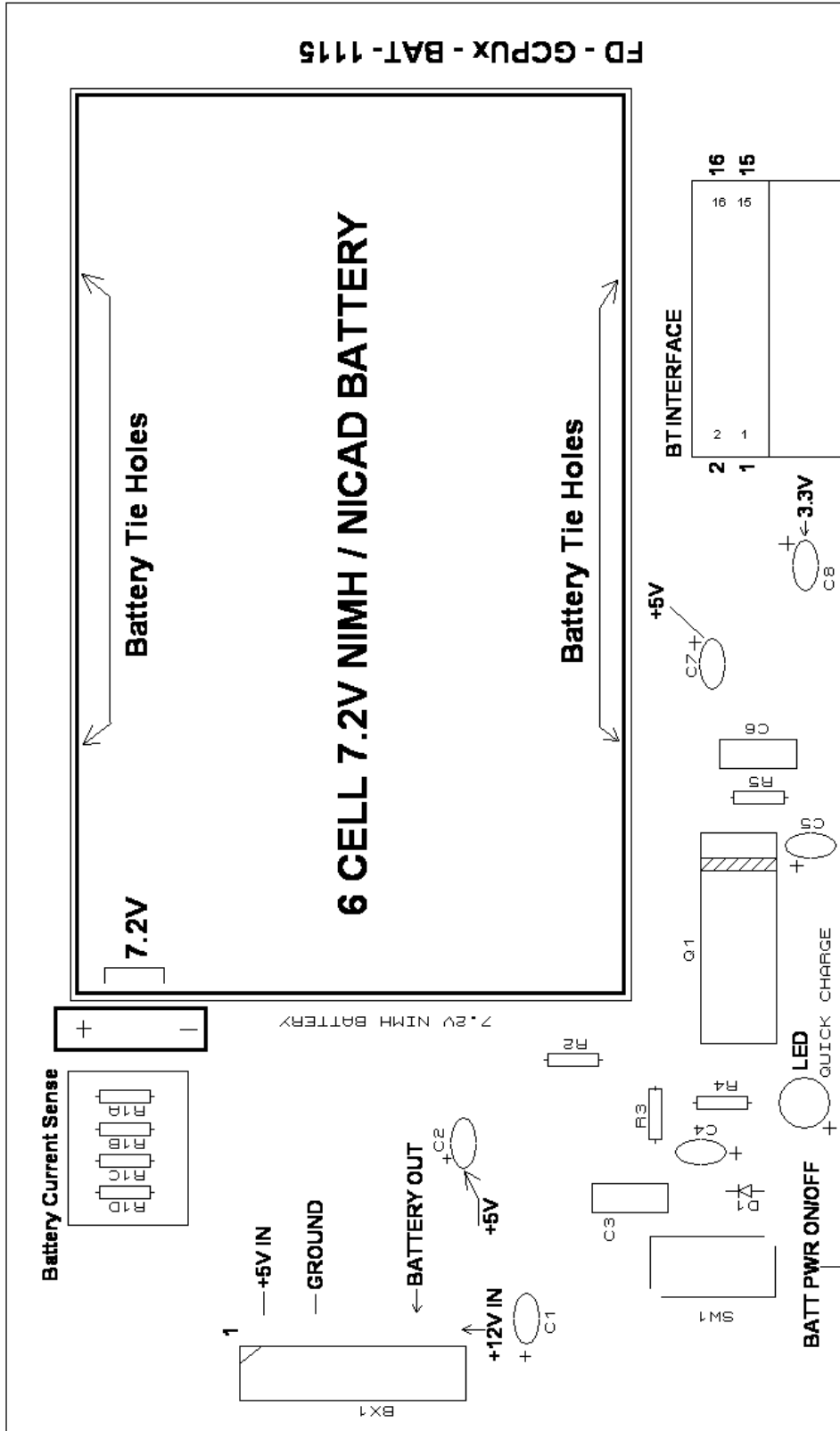
Note:

1. SMT Parts: U1 U2, U3 are pre-solder on PCBs.
2. Battery (NiMh or NiCad) not included in kit.

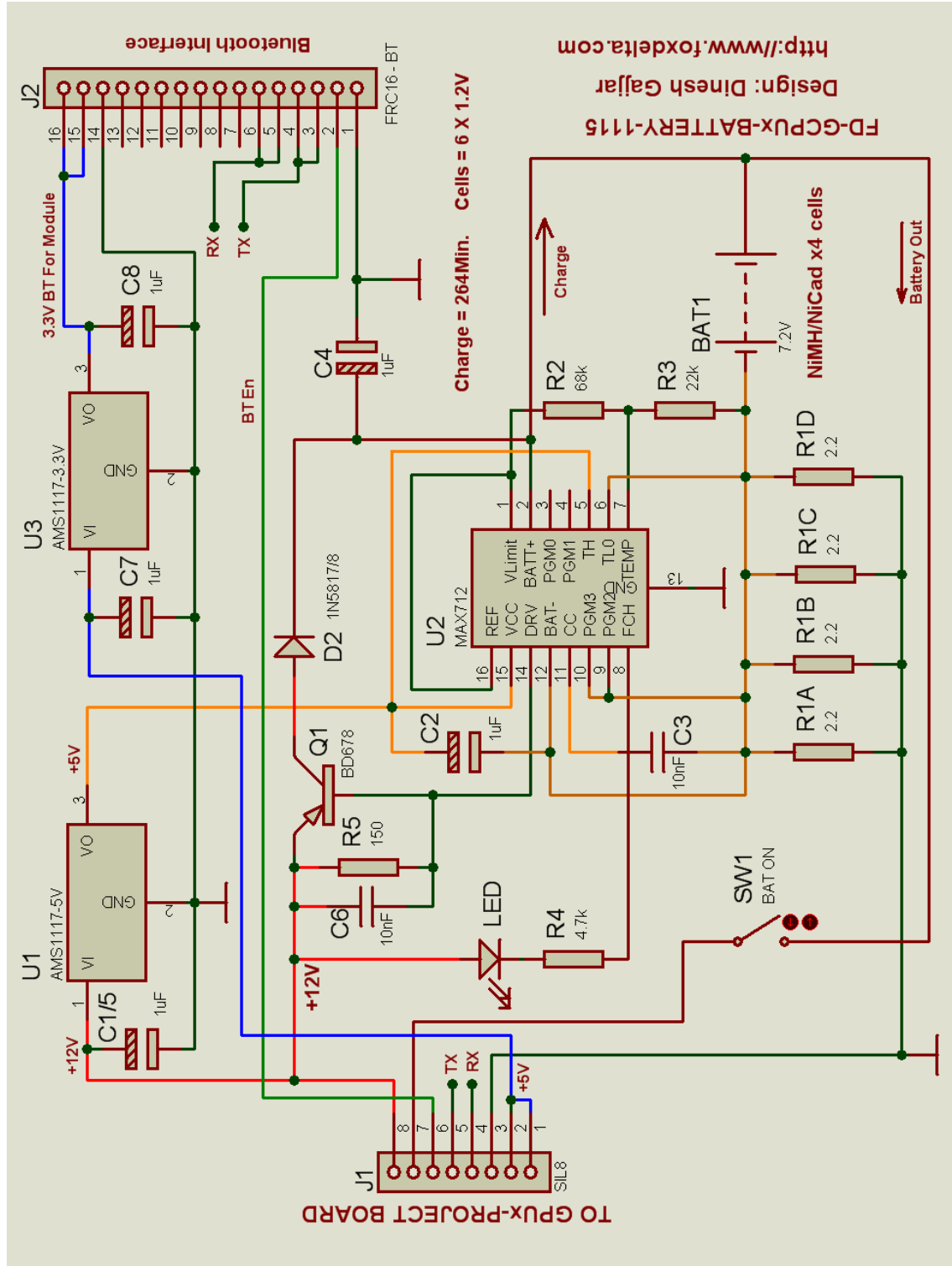
Battery Charger Solder Side SILK: (SMT Parts are Pre-Solderd)



Battery Board TOP SIDE SILK:



Battery Board Schematic:



73s

Dinesh Gajjar

28th December 2015

For more details, please visit Project Page: <http://www.foxdelta.com>