



Fox Delta

Amateur Radio Projects & Kits

FC3-SK-0317

FC3-SK Kit Schematic and Parts List: PIC18F4550 Freq Counter & RF Meter

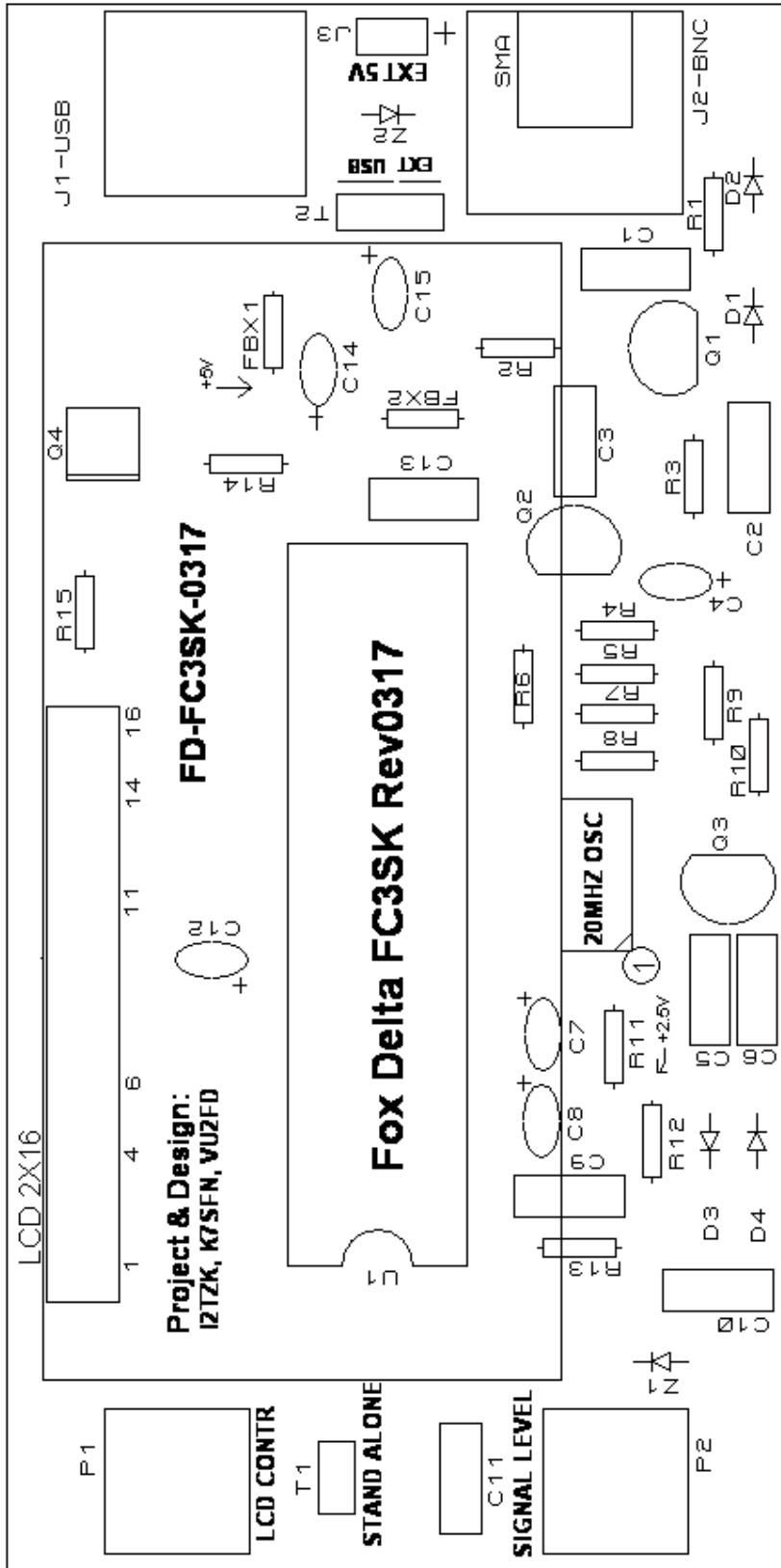
FC3-SK-0317 Frequency COUNTER Kit Parts List:

Qty	Check	ID	Part Detail
1		U1	PIC18F4550 40DIP (Pre-Programmed)
1		OSC	20MHZ HALF SIZE OSC
1		LCD	2x16 LCD with BL
1		J1	USB PCB CONNECTOR
1		J2	BNC R/A or SMA R/A PCB Connector
1		Q1	J309 FET TO92
2		Q2, 3,	PN918/PN3563 – TO92
1		Q4	IRFD110
2		FBX1, 2	Ferrite Bead Inductors
1		PCB	FC3-SK-0317 DSPTH BOARD
1		P1	10K Bourns Preset
1		P2	100K Bourns Preset
1		IC Socket	40PIN DIL For PIC18F4550
1		T1	2 PIN Header (Stand-alone)
2		Z1, Z2	5.6V Zener
1		T2	3 PIN Header (USB/EXT +5V Select)
2		D1, 2,	1N4148
2		D3, 4	BAT85
1		H1	16PIN Male/Female Header for LCD
Capacitors			
7		C 2, 3, 5, 6, 9, 10, 11,	0.1uF Poly
6		C4, 7, 8, 12, 14, 15,	1uF Tantalum 35V
1		C13	0.47uF Poly
Resistors All resistors ¼ W 5%			
1		R1,	1M
3		R2, 3, 10	220 ohms
4		R4, 11, 12, 13	10K
2		R5, 15	470 ohms
2		R14, 9	1K
1		R7	18K
1		R8	5.6K
1		R6	150

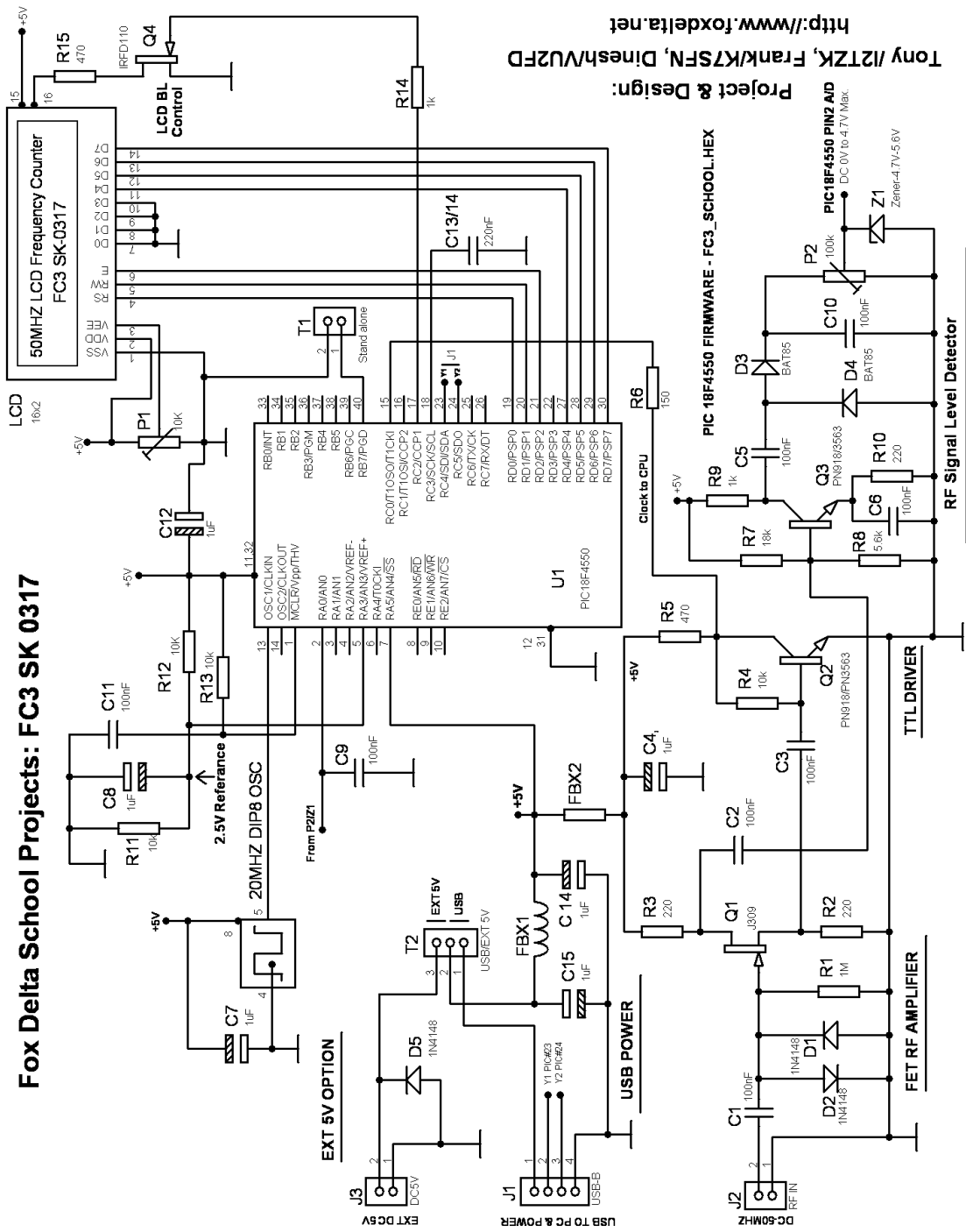
Notes:

1. J2 may be BNC, SMA or None: Select at the time of purchase.
2. No metal case available

FC3- SK-0317 Frequency COUNTER PCB Silk View:



FC3-SK-0317 Frequency COUNTER Schematic:



Dinesh Gajjar
 22nd March 2017

For more information, please visit: <http://www.foxdelta.com/>