



Fox Delta

Amateur Radio Projects & Kits

FoxEcho-K7

FoxEcho- K7 Schematic & Parts List: Advanced Echo Link Interface

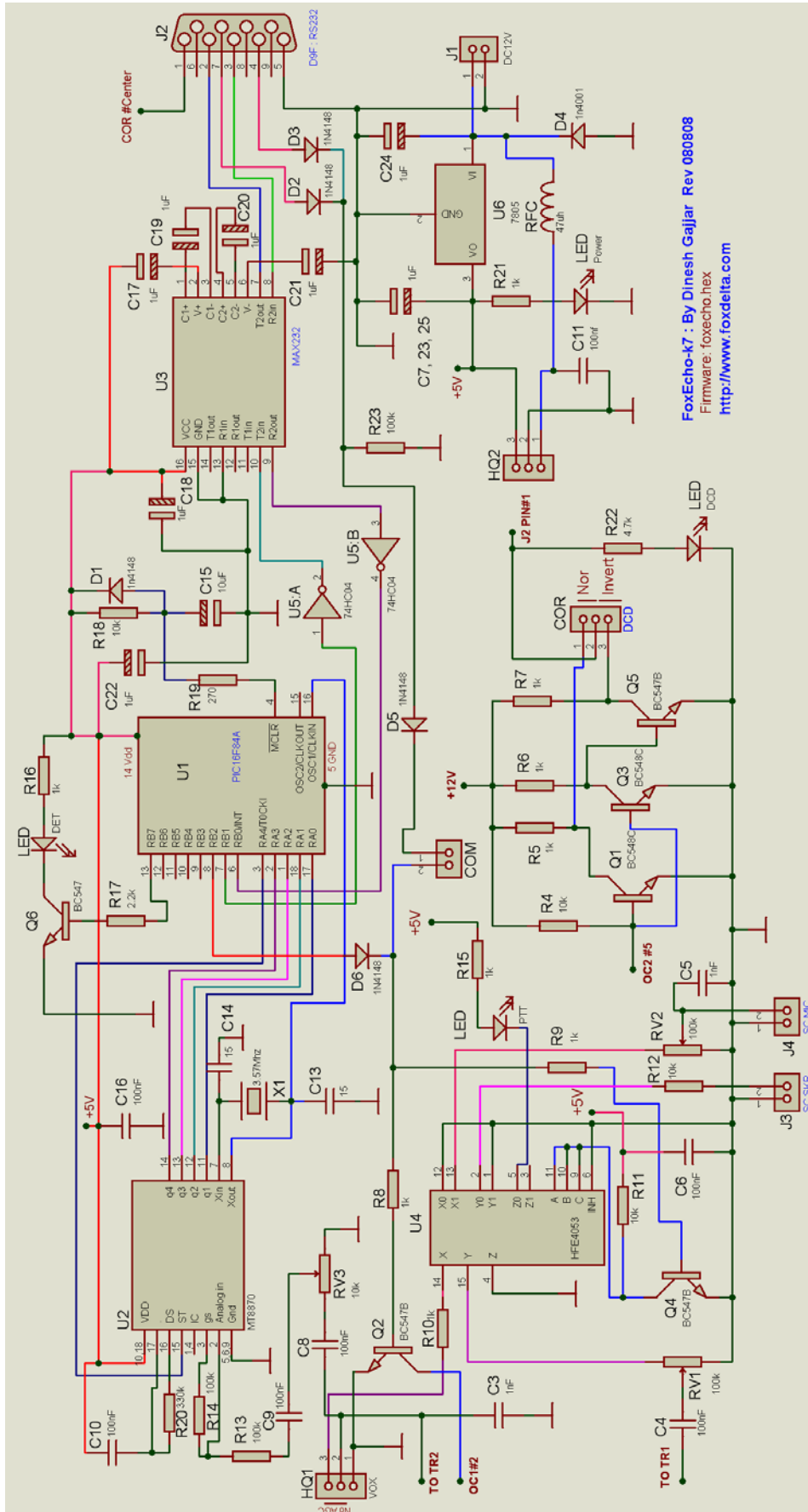
FoxEcho- K7 Parts List: Revision 0808

Quantity	Part Details /ID
1	DB9F RS232 Connector R/A J2
1	DIN5 PCB Connector J6
3	Stereo Sockets 3.5mm J3, 4, 5
1	DC Connector - J1
2	4N33 DIP6
1	MAX232 - U3
1	Crystal 3.57MHZ HC49U/S
1	MT8870 U2
1	PIC16F84A (Foxecho.hex) - U1
1	7805 +5V Regulator - U6
1	74HC04 - U5
4	BC547B
2	BC548C (Q1, Q3)
1	RFC 47uh (RFC1)
1	HFE4053 or 74HC4053 PDIP U4
1	1N4001 - D4
5	1N4148 - D1, 2, 3, 5, 6
4	LED 3mm (2Red, 1 Yellow 1 Green)
2	Bourns Preset 100K - RV1, 2
1	Bourns Preset 10K - RV3
5	Headers with shorting pins
1	Aluminum Case With nuts & Bolts
1	DIN5 Male for Transceiver Conn.
2	16 DIP Socket
1	14 DIP Socket
2	18 DIP Socket
2	6 DIP Sockets
2	Isolation Transformers
1	FoxEcho-K7 Double Sided PTH Board

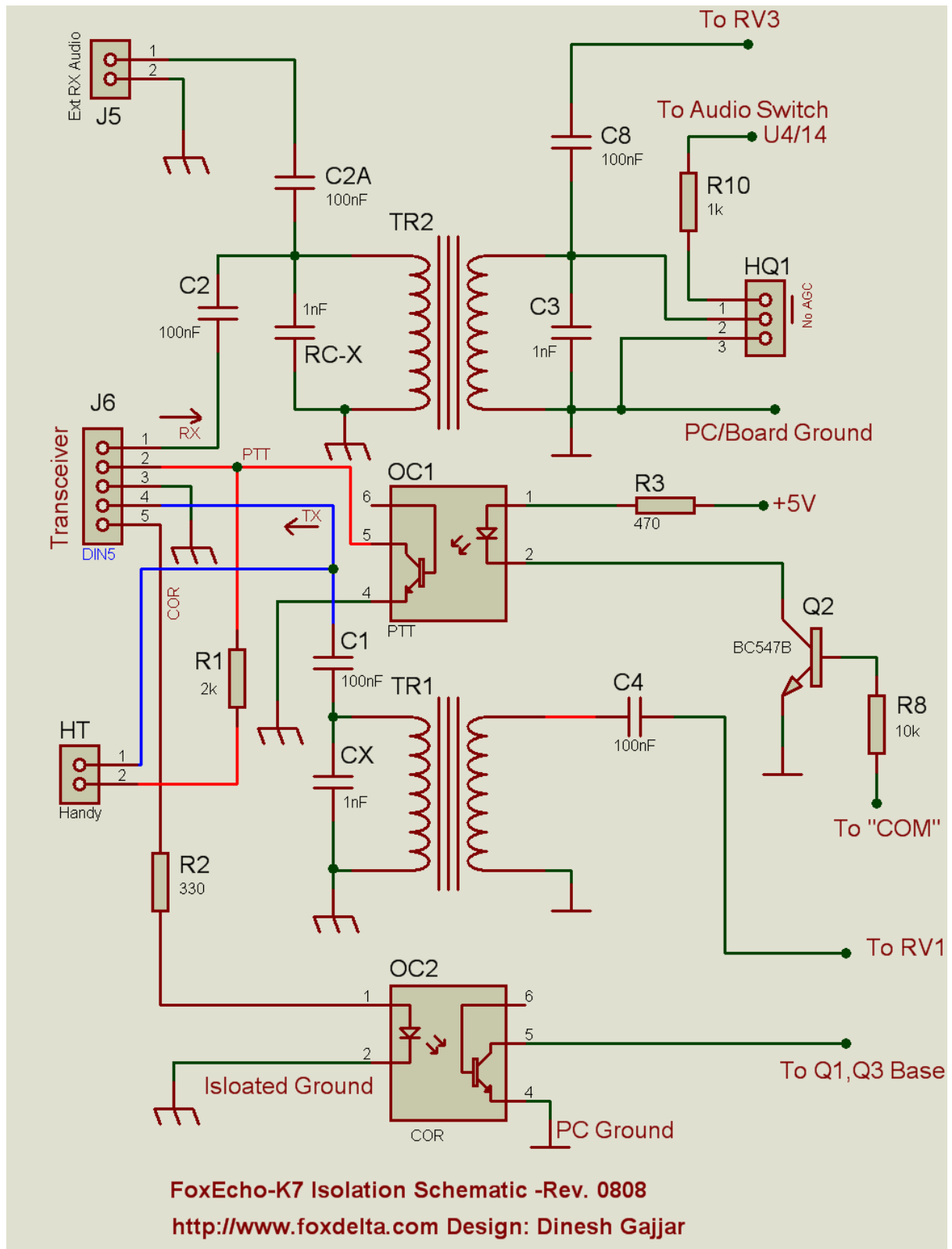
Resistors- All 1/4W	
R1, 17	2.2K (2)
R 5, 6, 7, 8, 9, 10, 15, 16, 21	1k (9)
R4, 11, 12, 18	10k (4)
R 3	470 (1)
R2	330 (1)
R13, 14, 23	100K (3)
R19	270 (1)
R20	330K (1)
R22	4.7K (1)
Total=23	
Capacitors:	
C1, 2, 2A, 4, 6, 8, 9, 10, 11, 12, 16	0.1uf (11)
C3, 5, CX, RCX	0.001uf (4)
C13, 14	15pf Ceramic (2)
C15	10uf 35V Tan. (1)
C7, 17, 18, 19, 20, 21, 22, 23, 24, 25	1uf 35V Tan. (10)
Total=28	
Other:	
4	Rubber Spacers
4	Nut & Bolts
4	Metal Screws



Schematic of the FoxEcho-K7 Interface: Revision 0808



Schematic of Isolation Section: Rev 0808



73s/Dinesh Gajjar

Please Visit <http://www.foxdelta.com> for more details on this project