



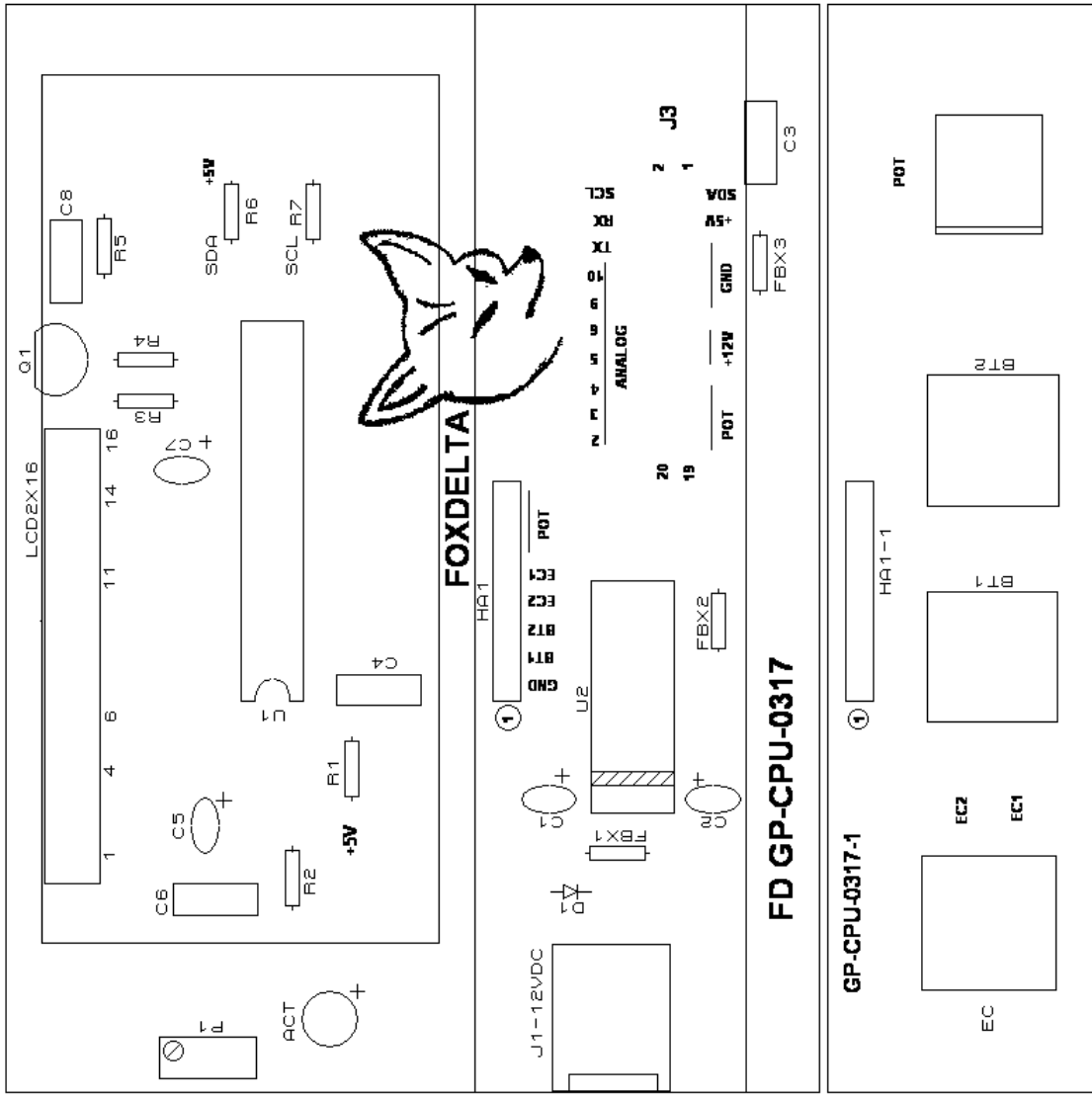
Fox Delta

Amateur Radio Projects & Kits

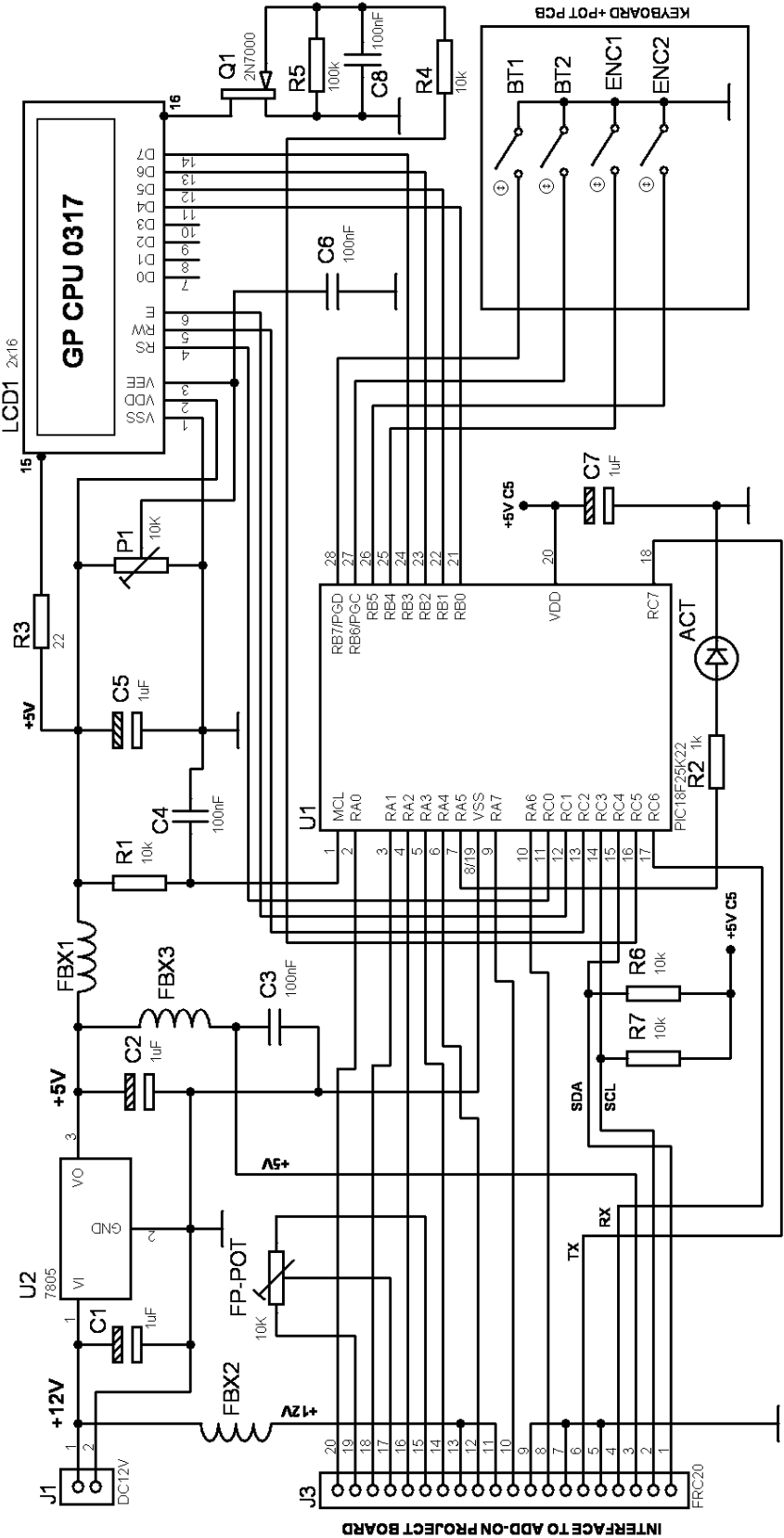
FD- GP-CPU-0317

Schematic & Parts list: GP-CPU-PIC18F25K22 For Various Projects

GP-CPU-0317: PCB SILK



GP-CPU-18F25K22: Schematic



Project & Design: Dinesh/U2FD, Frank/K7SFN, Tony/I2TZK FOXDELTA GP-CPU-0317

GP-CPU-0317 Kit Parts List:

Quantity	Part ID	Part Details
1	U1	PIC18F25K22 DIP28 Pre-Programmed with Project hex
1	DIP28	IC SOCKET
1	PCB	FD-GP-CPU-0317 DSPTH PCB
1	P1	10K LCD Contrast Preset
1	LCD	2X16 LCD with Back Light with SIL M/F Headers
1	U2	7805 TO220
1	EC	Encoder Alps EC12
1	POT	10K Panel Pot P090
1	J3	FRC20 Female
1	Q1	2N7000 TO92
1	D1	1N4148
1	J1	DC Connector 12V
2	BT1/2	12MM Push buttons
1	ACT	3mm LED
3	FBX1/2/3	Ferrite Bead Inductors
1	KB PCB	GP-CPU-0317-1 Keyboard PCB
1	Set	Hardware Nut/Bolts etc for main PCB+KB
1	Case	Free Powder Coated Metal Case
Capacitors:		
4	C1, 2, 5, 7	1uF Tantalum
4	C3, 4, 6, 8	0.1uF Poly
Resistors:		
4	R1, 4, 6, 7	10K
1	R2	1K
1	R5	100K
1	R3	22 Ohms

***U1 is Supplied Pre-Programmed according to associated project code.**

Note:

GP-CPU-0317 is a PIC18F25K22 based control Board with LCD and front panel Encoder, Push Buttons, require an add-on project board (Fits onto FRC20 Socket) to function as a project controller/display.

**73s / Dinesh Gajjar
18 May 2017**

For more details, please visit Project Page: <http://www.foxdelta.com>